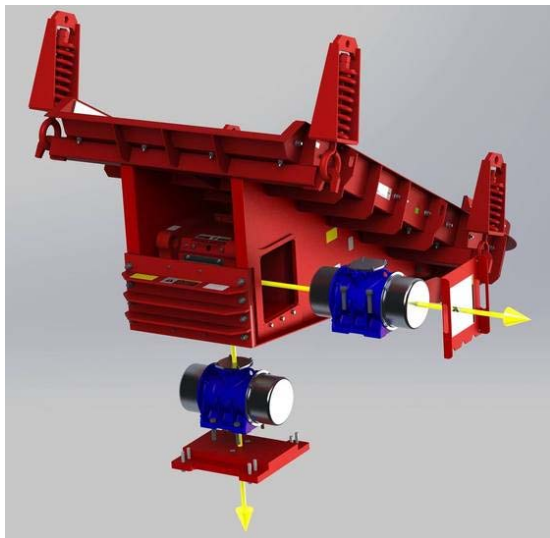


Proven Engineered Products - Complete Material Handling Solutions

Link-Belt® and Syntron® Today: June 2017

New Two-Mass Electromechanical Feeders

Syntron's® new Two-Mass Direct Drive provides reliable service using a rotary vibrator, minimizing replacement parts such as belts and pulleys due to wear. This unit is maintenance friendly and requires minimal time for thrust adjustment or replacement. Custom designed for over 100,000 L10 Life on the bearings, the Syntron Direct Drive Feeder also features more HP in the rotary vibrators than any other in the industry. It can create straight-line motion, providing maximum feeder capacity and material flow of your product. Bolt-in trough liners mean easy replacement or, if your application allows, can be rotated for longer life. Download the specs for the new **Two-Mass Direct Drive**.



Feeder Liners in 72 Hours

We are pleased to announce the availability of Syntron Liners in 1/4" & 3/8" thick AR 400 material

for standard Syntron Feeders. Liners from SMH are maintenance friendly



Syntron Material Handling University

The Syntron University training session for Distributors and Manufacturer's Reps in August is already full. But there's more. Reserve your space now for the training session October 24-26, 2017. Attendance is limited to the first 25 people. Email **Sheena Woodruff**.

Screw Conveyor Stocking Program

The new **Link-Belt® Screw Conveyor** Stocking Program features our inventory of 9" & 12" diameter parts and assemblies, including helicoid and sectional screws, angle and form flanged troughs, covers, screw clamps, shafts, and more. Give us a try...it's a win-win for everyone. Contact Brad Polcyn today via **email** or phone 662.869.7515 or 800.356.4898.

due to their "bolt-in" design and are now available in 72 HOURS. Call us today at 1.800.356.4898 or email us at orders@syntronmh.com.

\$1 Million Investment to Serve Our Customers

Syntron Material Handling has made a \$1M investment to better serve our customers. The result is state-of-the-art material handling equipment that delivers improved uptime, increased process reliability, lower maintenance expenses, and lower total cost of ownership (TCO). Next day shipment is available for Drives and 1 week shipment for Feeders. **Contact us today.**



Busy Week at Longwall USA

The Syntron Material Handling team had a busy week at the Longwall USA mining show in Pittsburgh, PA. Our experienced sales

team discussed how Link-Belt® Underground Solutions are the answer for all your underground conveyor system needs. For more info, call 662.869.7456.

New Website: Frequently Asked Questions

The upgraded Syntron Material Handling website provides better access to Products, Reference Library, Monthly Newsletter, Contact Us, and News & Events, such as Syntron University. Make sure you take a look at the Frequently Asked Questions. They cover Feeder FAQs, Link-Belt Idlers FAQs, Vibrators FAQs, and more. **Frequently Asked Questions.**

Feeders FAQs

Link-Belt Idlers FAQs

Vibrators FAQs

Where do I send inquiries and purchase orders?

Find Us on Facebook, Instagram, and LinkedIn

Follow Syntron Material Handling on LinkedIn, "like" us on Facebook, and follow us on Instagram for up to date industry news, product information, application articles, tutorials, and more.



Upcoming Shows

PROPAK China

July 12-14, 2017
Pudong, Shanghai
Booth #5C27

Bluefield Coal Show

September 13-15, 2017
Bluefield, WV
Booth #1204

About Syntron Material Handling

Syntron Material Handling provides material handling solutions for conveying, feeding, screening, elevating, vibratory flow aids, and mining controls of bulk product. For more information, see <http://www.syntronmh.com>

You are receiving this newsletter because you have previously expressed an interested in Syntron Material Handling. To let a colleague know about this newsletter, forward this email to them or have them subscribe using the link below. If you do not wish to receive this newsletter, opt out using the link below.

© 2017, Syntron Material Handling.

Proven Engineered Products - Complete Material Handling Solutions

<http://www.syntronmh.com> | +1 662.869.5711 | info@syntronmh.com

Share this email:



[Manage](#) your preferences | [Opt out](#) using TrueRemove™

Got this as a forward? [Sign up](#) to receive our future emails.

View this email [online](#).

2730 Highway 145 South
Saltillo, MS | 38866 US

