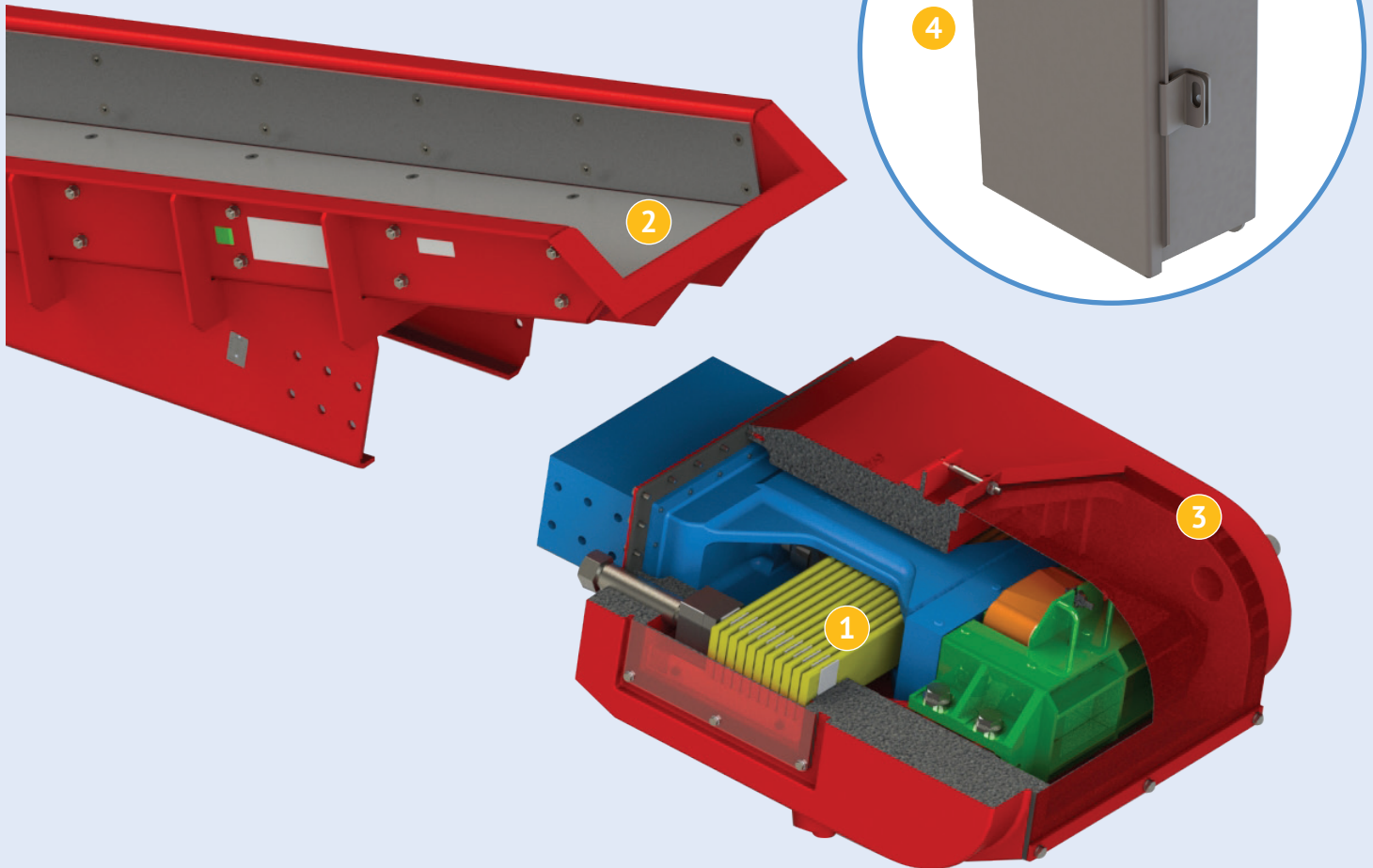


Electromagnetic Feeder Spare Parts



Electromagnetic Feeder

Critical Spares	Manufacturer Recommended Inspection Cycle	Manufacturer Recommended Replacement Cycle
1 Isolation Springs	Annually	Estimated Life Cycle in Normal Use - 3 years
2 Pan Liners	Monthly	Estimated Life Cycle in Normal Use - 1-3 years
3 Coils	At Failure	Estimated Life Cycle in Normal Use - 5-7 years
4 Diode (Control Diode)	At Failure	Estimated Life Cycle in Normal Use - 3-5 years
Factory Service Inspection and Eval.	Front to Back Inspection and Report Out - Every 2 years	

Proven Engineered Products – Complete Material Handling Solutions