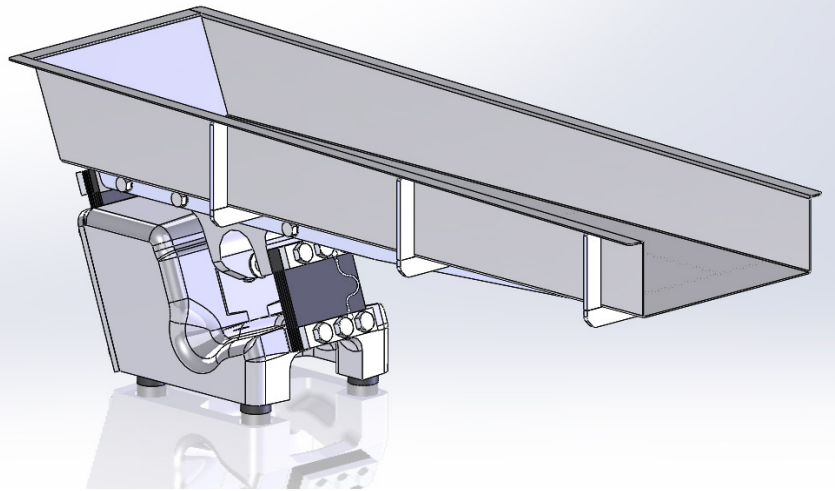


Service Instructions

Syntron®
Electromagnetic
Vibratory Feeder
Model: BF-3
BF-3S



FEEDER TUNING

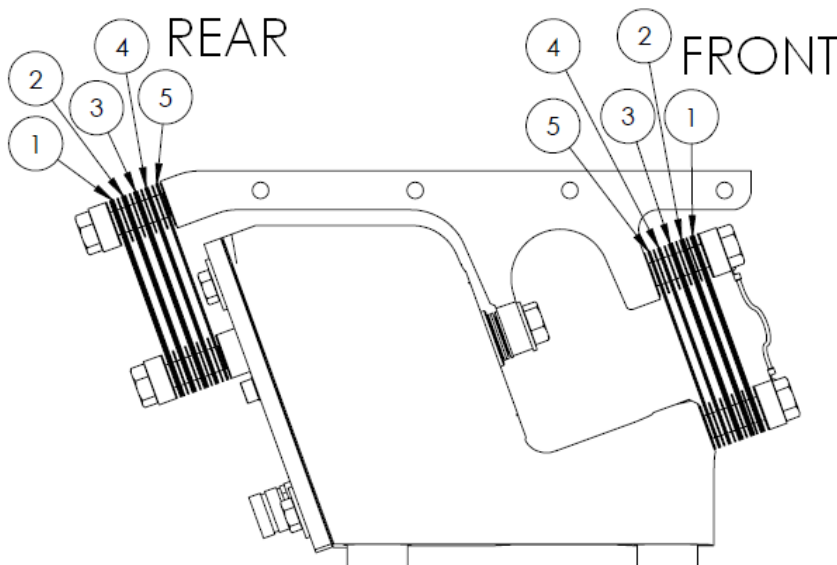
Each BF-3 drive is provided with enough springs to ensure the drive can be tuned correctly with a 40lb trough. This spring combination allows the user to adjust the tuning for lighter troughs. Tuning adjustment is accomplished by changing out the springs according to the weight of the trough.

This information is provided as a guide for tuning purposes. The data presented is close to real life values, however, variations in thickness, width, and slight material differences can affect the tuning. Therefore the user should verify the final tuning and adjust as needed to obtain optimal tuning.

The 2 tables below show the positions of the springs (springs are listed by number of plies which is indicated by the last 2 digits of the spring part numbers). The diagram below shows the springs numbered 1-5 for both the front and rear spring assemblies.

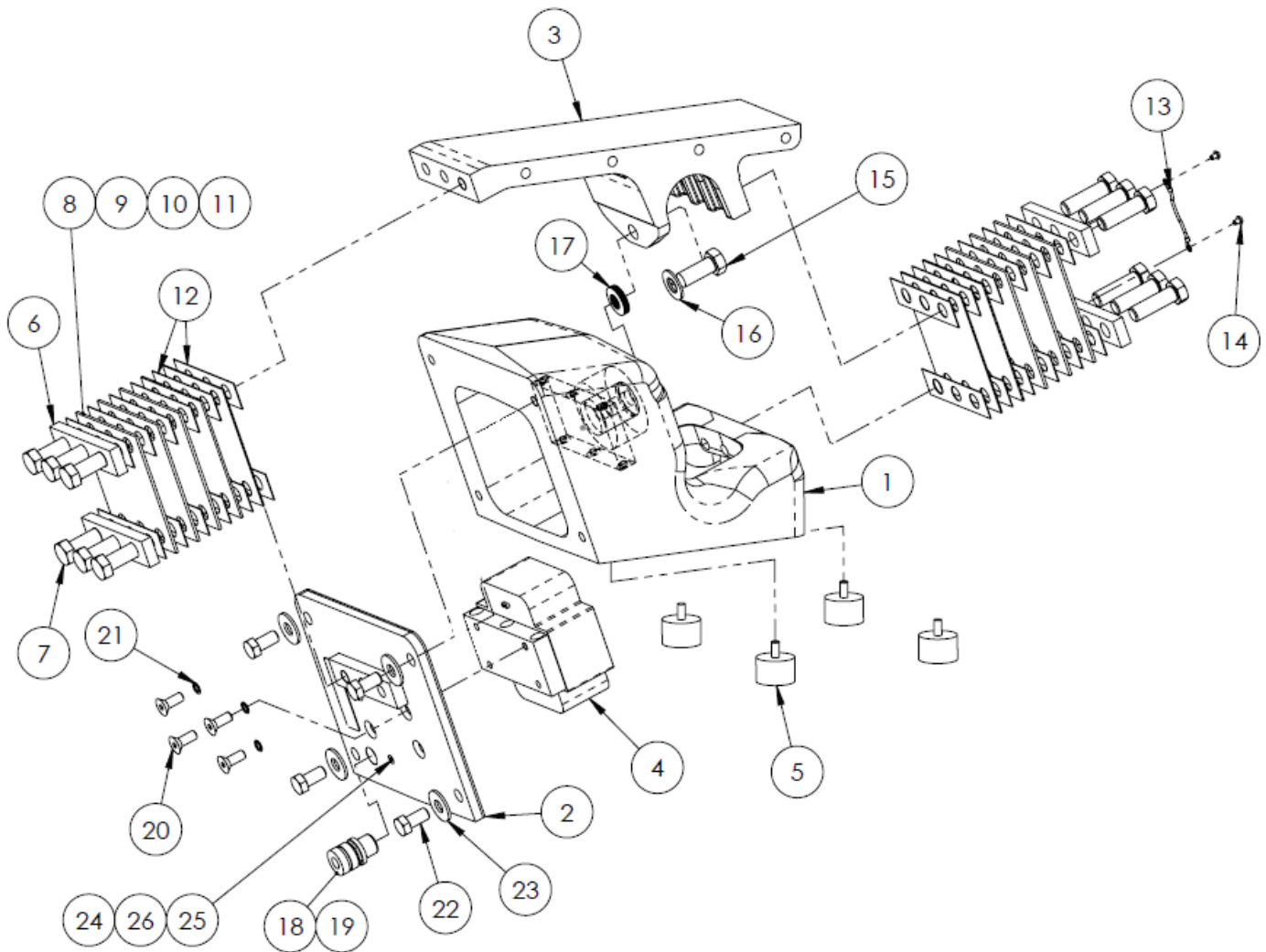
60HZ Operation (Natural Frequency 3900 VPM)										
Trough Weight (lbs.)	Rear Springs					Front Springs				
	①	②	③	④	⑤	①	②	③	④	⑤
43	18	18	18	14	9	18	18	18	11	9
42	18	18	18	14		18	18	18	11	9
40.5	18	18	18	14	9	18	18	18	9	
38.5	18	18	18	9		18	18	18	11	9
36.5	18	18	18	9		18	18	18	11	
35.5	18	18	18			18	18	18	11	
34.5	18	18	18	9		18	18	18		
33	18	18	14	9		18	18	18	11	9
31.5	18	18	14	9		18	18	18	11	
30	18	18	18	14		18	18	11		
29	18	18	18	14	9	18	18			
28	18	18	18	14		18	18			
27	18	18	18	9		18	18	11		
26	18	18	18			18	18	11		
25	18	18	18			18	18	9		
23.5	18	18	14	9		18	18	11	9	
22.5	18	18	14	9		18	18	11		
21	18	18	14	9		18	18	9		
20	18	18	14	9		18	18			

50HZ Operation (Natural Frequency 3300 VPM)										
Trough Weight (lbs.)	Rear Springs					Front Springs				
	①	②	③	④	⑤	①	②	③	④	⑤
42.5	18	14	11	11	9	18	18	14	9	9
41	18	14	11	11	9	18	18	14	9	
39	18	14	11	11		18	18	14	9	
37.5	18	14	11	9		18	18	14	9	
36	18	14	11	11		18	18	14		
35.5	18	14	11	11	9	18	18	9	9	
33.5	18	14	11	11	9	18	18	9		
32.5	18	14	11	11	9	18	18			
30.5	18	14	11	11		18	18			
29	18	14	11	9		18	18			
28.5	18	14	11	11	9	18	14	9	9	
26	18	14	11	11		18	14	9	9	
25	18	14	11	11		18	14	9		
24	18	14	11	11		18	14			
22	18	14	11	9		18	14			
20	18	14	11	9		18	9	9		



Spring Part Number	# of Plys	Approximate Thickness (inches)
6510-032-018	18	0.108
6510-032-014	14	0.084
6510-032-011	11	0.066
6510-032-009	9	0.054

PARTS LIST –BF-3 & BF-3S ELECTROMAGNETIC FEEDERS



ITEM	DESCRIPTION	PART NO	QTY
1	Base / Armature	6510-022-A	1
2	Back Plate	6510-020-A	1
3	Trough Mounting Bracket	6510-024-001	1
4	Magnet Assembly (115V/60 Hz).....	175849-AB] 1 Only
	Magnet Assembly (230V/60 Hz).....	175849-AC	
	Magnet Assembly (460V/60 Hz).....	175849-AD	
	Magnet Assembly (575V/60 Hz).....	175849-AE	
	Magnet Assembly (115V/50 Hz).....	175849-AF	
	Magnet Assembly (230V/50 Hz).....	175849-AG	
	Magnet Assembly (380V/50 Hz).....	175849-AH	
5	Rubber Foot 1-9/16" OD x 1" Tall (Standard).....	0207X058] 4 Only
	Rubber Foot " " w/ 5/16-18 x 5/8" lg stud (Stud).....	0207X059	
	Rubber Foot " " w/ 5/16-18 threaded insert (Sandwich).....	0207X060	

PARTS LIST (continued)

6	Clamp Bar (Zinc Plated)	6510-025-001]	4
	Clamp Bar (Stainless Steel)	6510-025-002]	Only
7	Hex Head Cap Screw 5/8-11 x 2" lg. (Gr.5 Ni.Pl.).....	H0348922]	12
	Hex Head Cap Screw 5/8-11 x 2" lg. (Stainless Steel)	H0311726]	Only
8	18-Ply Leaf Spring (.108" thk.).....	6510-032-018		6
9	14-Ply Leaf Spring (.084" thk.).....	6510-032-014		1
10	11-Ply Leaf Spring (.066" thk.).....	6510-032-011		1
11	9-Ply Leaf Spring (.054" thk.).....	6510-032-009		2
12	Spring Spacer	6510-033-001		24
13	Ground Strap	6510-014-A		1
14	Drive Screw #10 x 1/4"	H0457102		2
15	Hex Head Cap Screw 5/8-18 x 1 1/2" Lockwell (S.S.)	H0318605		1
16	Plain Washer Type A 1/2" (S.S.)	H0117504		1
17	Belleville Spring Washer 5/8" (S.S.)	0013X140		3
18	Sealing Cable Grip	0102X002		1
19	Sealing Ring 1/2"	0145X072		1
20	Flat Head Cap Screw 3/8-16 x 1" (Nickel Pl.)	H0456711]	4
	Flat Head Cap Screw 3/8-16 x 1" (Stainless Steel)	H0415111]	Only
21	O-ring	0149X067		4
22	Hex Head Cap Screw 1/2-13 x 1" (Nickel Pl.)	H0335823]	4
	Hex Head Cap Screw 1/2-13 x 1" (Stainless Steel)	H0315003]	Only
23	Plainwasher 1/2" (Nickel Pl.)	H0117356]	4
	Plainwasher 1/2" (Stainless Steel)	H0117304]	Only
24	Hex Nut #10-32	H0101002		1
25	Screw, Phillips Head Sealing #10-32	H0211325		1
26	Lockwasher #10	H0112458		1
27	Safety Label.....	125694		1

* Do not remove or paint over safety labels or the nameplate. If safety labels need replaced, contact Syntron Material Handling for an additional supply free of charge.

Important

Syntron Material Handling reserves the right to alter at any time, without notice and without liability or other obligations on its part, materials, equipment specifications, and models. Syntron Material Handling also reserves the right to discontinue the manufacture of models, parts, and components thereof.

Your satisfaction is very important to us. Please direct any comments, questions, or concerns to our Marketing Communications Department.

Syntron Material Handling

Corporate Office

P.O. Box 1370

Tupelo, Mississippi 38802

Phone: 662.869.5711

Fax: 662.869.7449

Syntron®
Link-Belt®

Tupelo

2730 Hwy 145 South
Saltillo, Mississippi 38866

Phone: 662.869.5711

Fax: 662.869.7493

Toll Free: 800.356.4898

info@syntronmh.com

Changshu

#2 Road No. 1

Changshu Export Processing Zone

Changshu, Jiangsu, China 215513

Phone: +86 0512.52299002

Fax: +86 0512.52297228

info@syntronmh.com