

Service Instructions

Syntron®
PowerPulse™
Control
Model: (115V) RC



WARNING: These instructions and safety precautions must be followed. There is a hazard of electrical shock to the operator. **NOTE:** Local safety codes and regulations must be considered when installing and/or operating this control.

INSTALLATION

The voltage and frequency of the power supply must match the designation on the control nameplate. The control assembly should be installed close to the equipment, where it is easily seen by and accessible to the operator.

Installation on a wall in a clean, dry, vibration-free location is recommended. Ambient temperature should not exceed 100°F (40°C).



WARNING: The electrical power supply connection to the control must be made through a customer-supplied safety disconnect switch, which must be mounted next to the control. Incorporation of an emergency stop may also be required, per local codes.

When making electrical connections, it is important to follow the wiring diagram supplied with the control.



WARNING: The control must be properly grounded and verified at installation.

Enclosure integrity should be maintained at all times. The control enclosure must not deviate from the designated UL or IEC rating of the supplied unit.

OPERATION



WARNING: The control must be kept closed and secured while in operation.

After the control has been installed and all strain relief connections have been properly completed, the control is ready for operation. To energize the equipment, place the switch in the ON position. The potentiometer is used to control the vibration of the equipment. Turning the knob clockwise will increase the amplitude of vibration, and counterclockwise will decrease the amplitude of vibration.

MAINTENANCE



WARNING: Disconnect the power supply at the safety switch before performing any maintenance.

The only maintenance required is that the controller be kept reasonably clean.



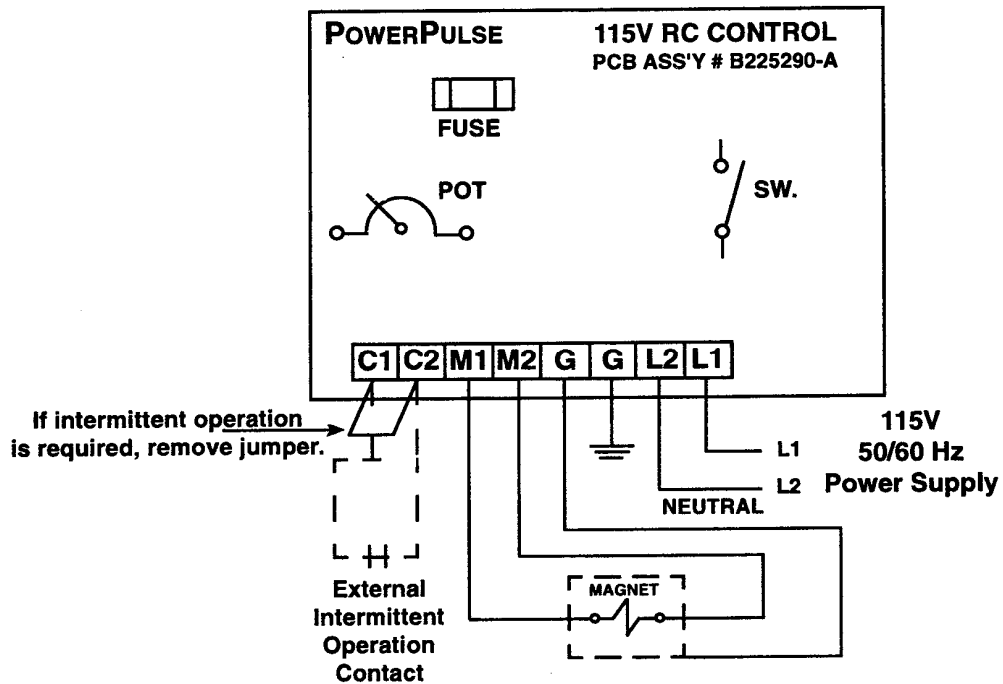
WARNING: Do not use a damp cloth or water for cleaning. Clean, dry, compressed air is recommended for cleaning.

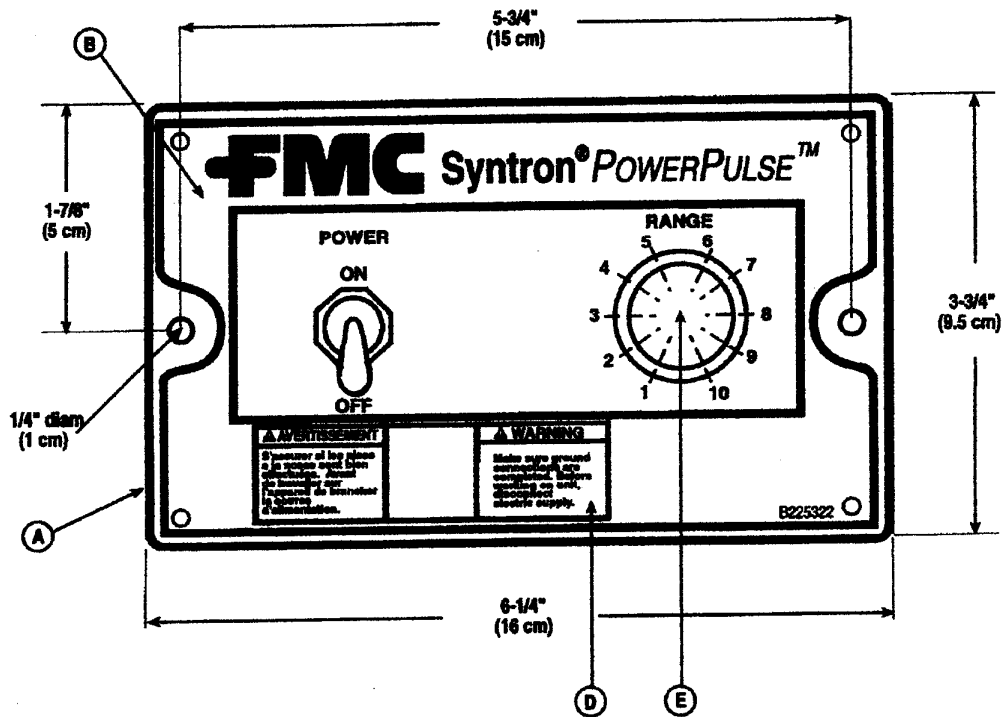
TROUBLESHOOTING

PROBLEM	CAUSE	CORRECTION
No power from the control	Open fuse	*Replace the fuse
	Loose connection	Repair
	Defective PCB	*Replace PCB
No control of power from the control. Equipment runs at full capacity or with a weak hum. There is no definite stroke.	Defective PCB	*Replace PCB

*Replace only with parts recommended or supplied by Syntron Material Handling.

WIRING DIAGRAM





PARTS LIST – POWERPULSE 115V RC CONTROL (B-225484-A)

<u>Item</u>	<u>Description</u>	<u>Quantity</u>	<u>Part No.</u>
A	Box Control	1	B-134850
B	Top Plate/Label	1	B-225322-501
C	■ Nameplate (not shown)	1	A-107438-002
D	■ Label, Caution	1	A-125694
E	Knob	1	0118X031
F	SCR/Control PCB Assembly (not shown)	1	B-225290-A
	Fuse 6A	1	0174X026
	Switch	1	0051X887
	Wiring Diagram	1	B-225483

■ Do not remove or paint over safety labels. If safety labels need replaced, contact Syntron Material Handling for an additional supply free of charge.

Important

Syntron Material Handling reserves the right to alter at any time, without notice and without liability or other obligations on its part, materials, equipment specifications, and models. Syntron Material Handling also reserves the right to discontinue the manufacture of models, parts, and components thereof.

Your satisfaction is very important to us. Please direct any comments, questions, or concerns to our Marketing Communications Department.

Syntron Material Handling

Corporate Office

P.O. Box 1370

Tupelo, Mississippi 38802

Phone: 662.869.5711

Fax: 662.869.7449

Syntron®
Link-Belt®

Tupelo

2730 Hwy 145 South
Saltillo, Mississippi 38866

Phone: 662.869.5711

Fax: 662.869.7493

Toll Free: 800.356.4898

info@syntronmh.com

Changshu

#2 Road No. 1

Changshu Export Processing Zone
Changshu, Jiangsu, China 215513

Phone: +86 0512.52299002

Fax: +86 0512.52297228

info@syntronmh.com