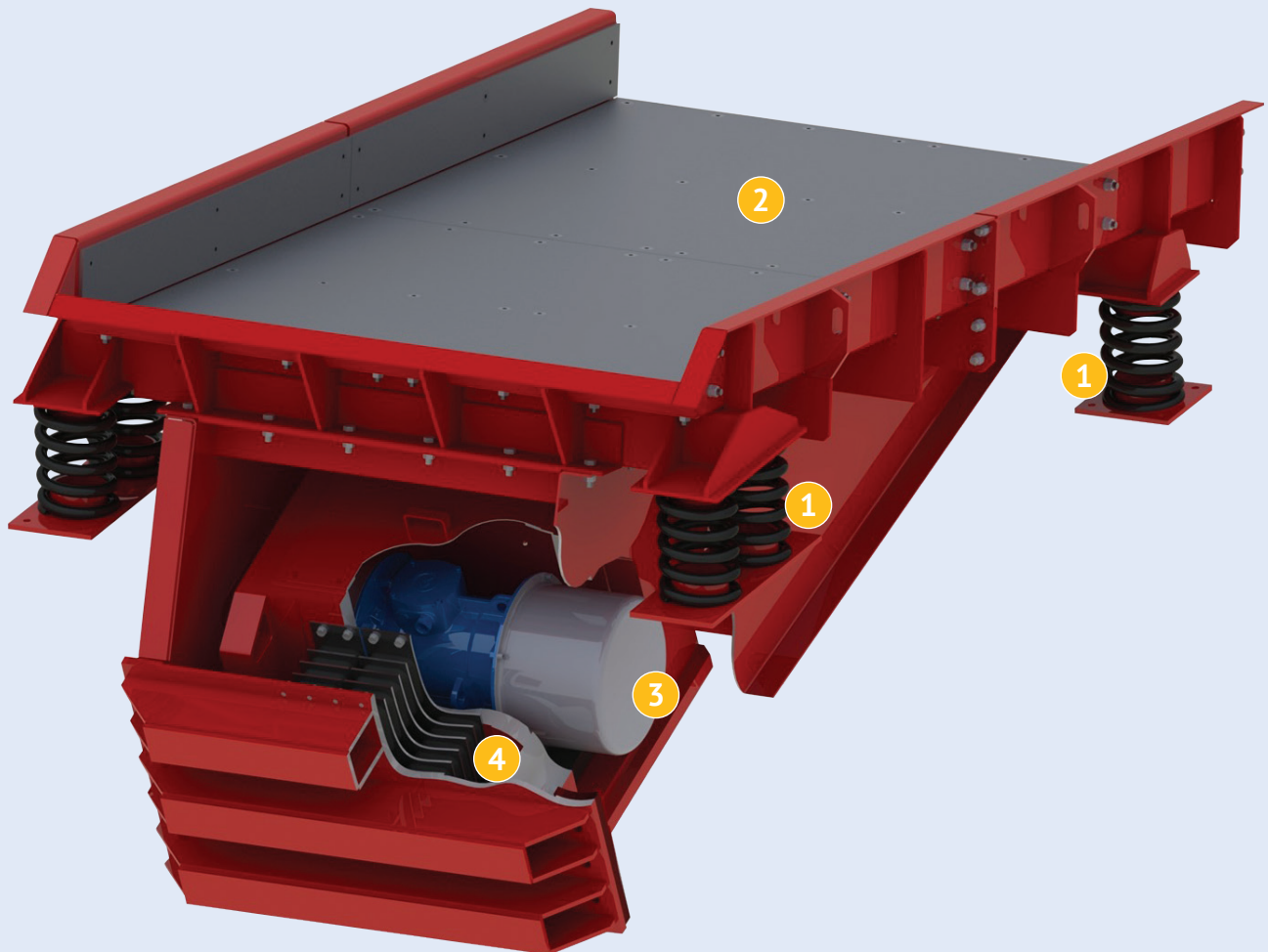


Electromechanical Feeder Spare Parts



Electromechanical Feeder

Critical Spares	Manufacturer Recommended Inspection Cycle	Manufacturer Recommended Replacement Cycle
1 Isolation Springs	Annually	Estimated Life Cycle in Normal Use - 3 years
2 Pan Liners	Monthly	Estimated Life Cycle in Normal Use - 1-3 years
3 Motors	Lubricate Per Owners Manual	Estimated Life Cycle in Normal Use - 10 years
4 Drive Springs	Annually	Estimated Life Cycle in Normal Use - 7-10 years
Factory Service Inspection and Eval.	Front to Back Inspection and Report Out - Every 2 years	

Proven Engineered Products – Complete Material Handling Solutions