

Service Instructions

Syntron® RF-80-B
Electromechanical Vibrating
Feeder

Syntron® Electromechanical Vibrating Feeder

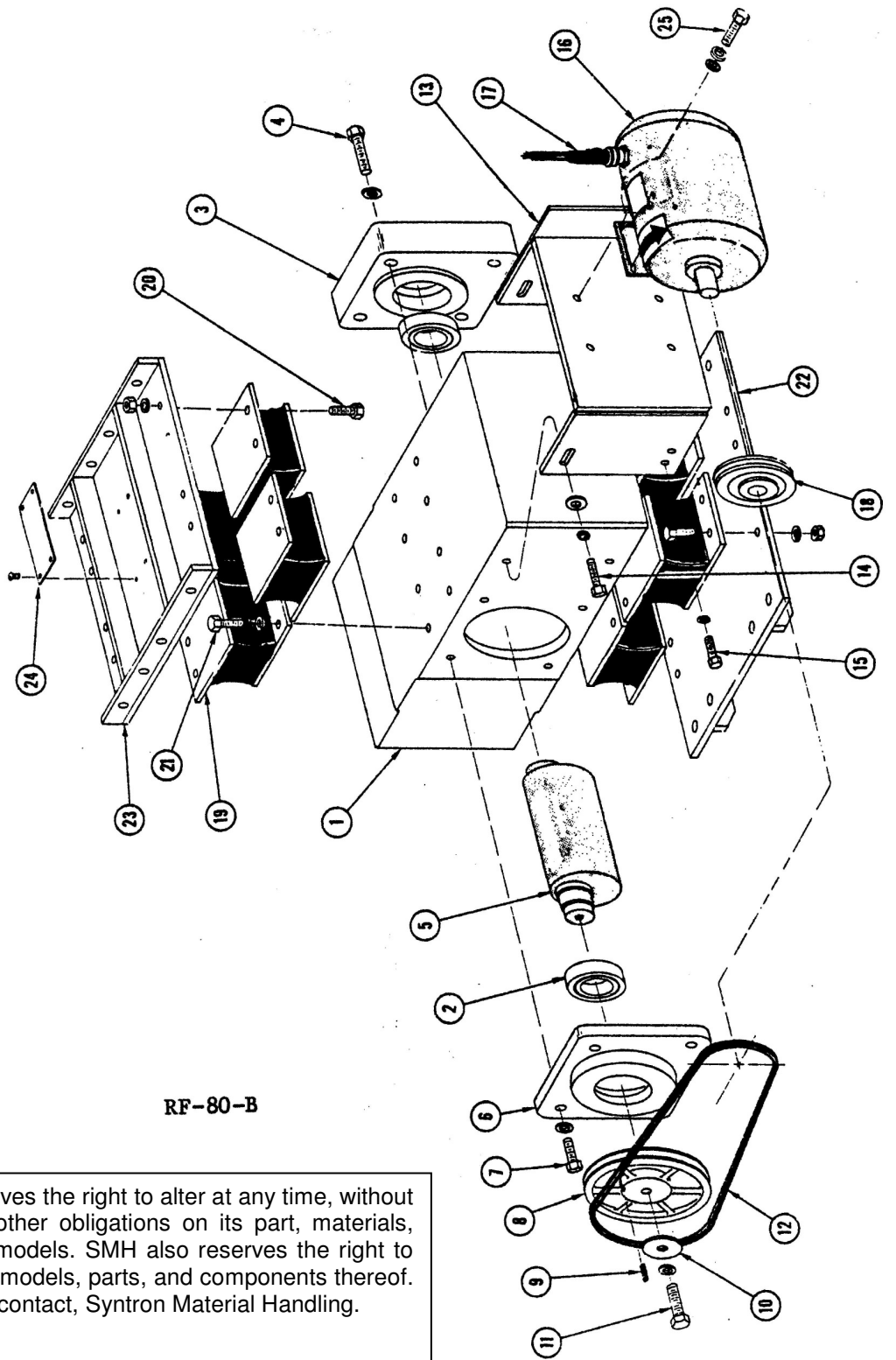
Model: RF-80-B

Parts List

Refer to Syntron Material Handling Service Instruction SM0850 for installation, operation, maintenance and trouble shooting of "RF" Electromagnetic Feeders.

ITEM	PART NO.	DESCRIPTION
1.	C-157772-1	Housing
2.	0031X168	Bearing
	0185X029	Primer
	0185X048	Loctite Bearing Mount
3.	A-140066-A	Bearing Adaptor
4.	H0318501	Cap Screw, Hex Hd. (1/2"-13 x 2") (Torque 50 Ft./Lb.)
	H0113601	Lockwasher (1/2")
5.	A-140176	Shaft & Eccentric Weight
6.	A-140067-A	Bearing Adaptor (Sheave Side)
7.	H0315401	Cap Screw, Hex Hd. (1/2"-13 x 1 1/2") (Torque 50 Ft./Lb.)
	H0113601	Lockwasher (1/2")
8.	0180X060	Sheave
9.	A-139112-C	Key
10.	A-139712	Washer
11.	H0306601	Cap Screw, Hex Hd. (5/16"-18 x 5/8") (Torque 11 Ft./Lb.)
	H0113001	Lockwasher (5/16")
12.	0049X039	Belt
13.	B-161013-A	Motor Mounting Bracket Assembly
	A-181288-1	Mounting Plate
	A-152171	Amplitude Decal
14.	H0315201	Cap Screw, Hex Hd. (1/2"-13 x 1 1/4") (Torque 50 Ft./Lb.)
	H0113601	Lockwasher (1/2")
	H0117301	Plainwasher (1/2")
15.	H0315201	Cap Screw, Hex Hd. (1/2"-13 x 1-1/4") (Torque 50 Ft./Lb.)
	H0113601	Lockwasher (1/2")
16.	C-162806-B	Motor (230V/460V) (for use w/o controller)
	C-162806-C	Motor (230/460V)
	C-162817-B	Motor (230/460V) (Explosion Proof, for use w/o controller)
	C-162817-C	Motor (230/460V) (Explosion Proof)
17.	A-149666	Cable Assembly
	B-162804-A	Cable Assembly (Explosion Proof)
18.	0180X136	Variable Pitch Sheave
19.	A-139714-A	Drive Spring Assembly
	A-139714-B	Drive Spring Assembly
20.	H0315201	Cap Screw, Hex Hd. (1/2"-13 x 1 1/4") (Torque 50 Ft./Lb.)
	H0113601	Lockwasher (1/2")
	H0104001	Hex Nut (1/2"-13)
21.	H0315001	Cap Screw, Hex Hd. (1/2"-13 x 1") (Torque 50 Ft./Lb.)
	H0113601	Lockwasher (1/2")
22.	C-161296-A	Bottom Compression Plate Assembly
23.	C-161297-A	Top Compression Plate Assembly
24.	A-133521	Nameplate
	H0430600	Drive Screw, Rd. Hd. (#2 x 1/4")
25.	H0307001	Cap Screw, Hex Hd. (5/16"-18 x 7/8") (Torque 11 Ft./Lb.)
	H0113001	Lockwasher (5/16")

WHEN ORDERING PARTS, PLEASE SPECIFY COMPLETE NAMEPLATE DATA!



RF-80-B

Syntron Material Handling reserves the right to alter at any time, without notice and without liability or other obligations on its part, materials, equipment specifications, and models. SMH also reserves the right to discontinue the manufacture of models, parts, and components thereof. For further detailed information contact, Syntron Material Handling.

Syntron Material Handling

Corporate Office

P.O. Box 1370
Tupelo, Mississippi 38802
Phone: 662.869.5711
Fax: 662.869.7449

Syntron®
Link-Belt®

Tupelo
2730 Hwy 145 South
Saltillo, Mississippi 38866
Phone: 662.869.5711
Fax: 662.869.7493
Toll Free: 800.356.4898
info@syntronmh.com

Changshu
#2 Road No. 1
Changshu Export Processing
Zone
Changshu, Jiangsu, China
215513
Phone: +86 0512.52299002
Fax: +86 0512.52297228
info@syntronmh.com