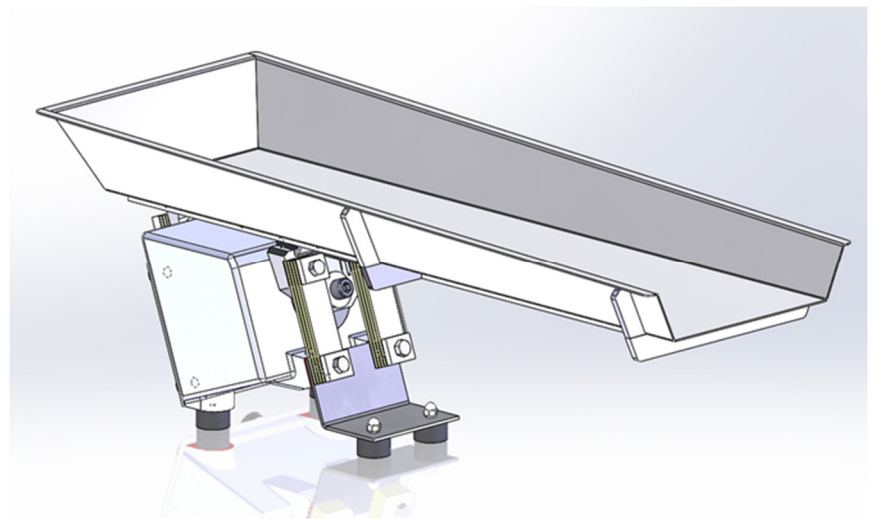
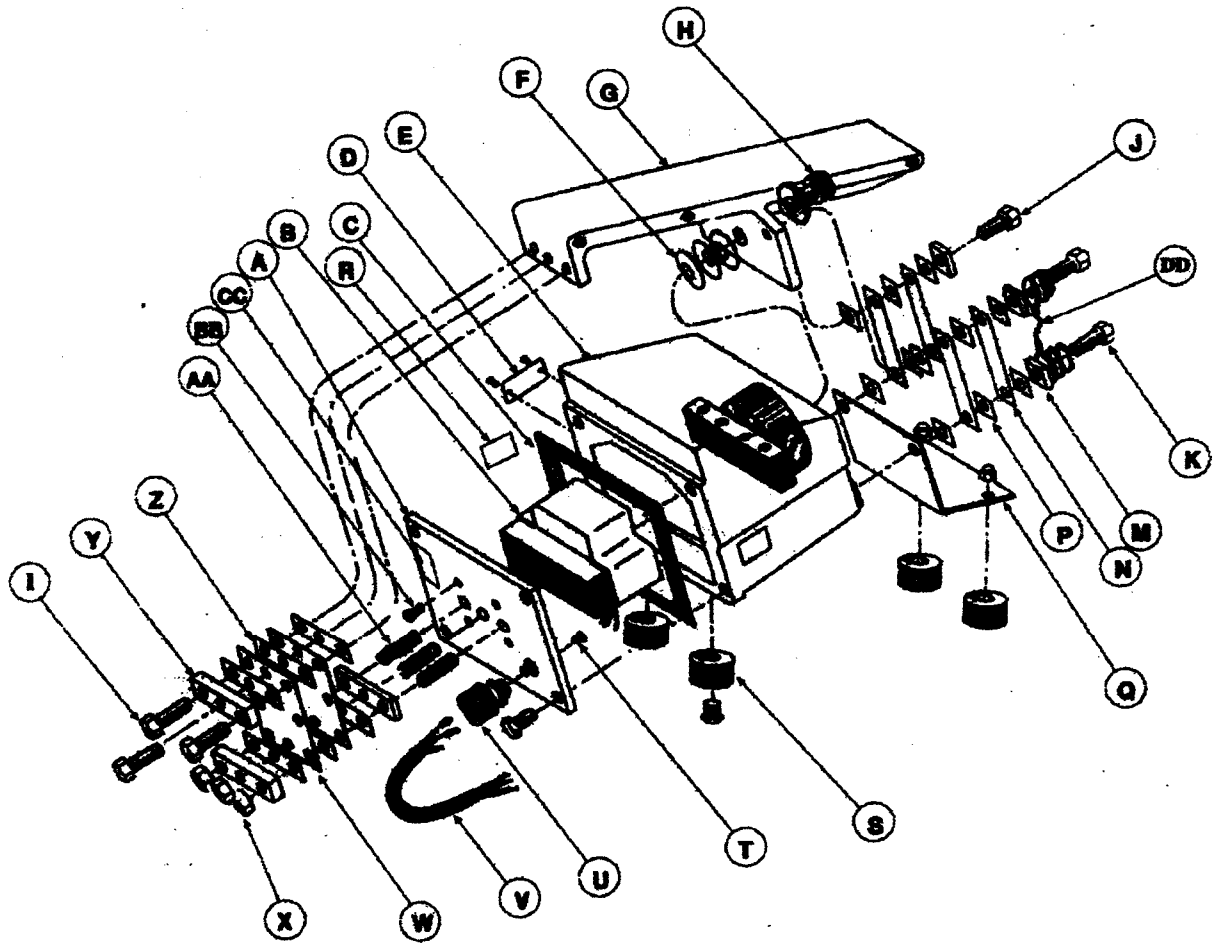


Service Instructions

Syntron®
Electromagnetic
Vibratory Feeder
Model: BF-2-AM





PARTS LIST – BF-2-AM ELECTROMAGNETIC FEEDER

<u>Item</u>	<u>Description</u>	<u>Quantity</u>	<u>Part No.</u>
A	Back Plate	1	B-222307-B
	Cap Screw, Hex Hd, Ni PI (M10 x 25)	4	BN54M10X25NI
B	Magnet Assembly (240 V/50 Hz)	1	B-152676-T
C	Gasket	1	A-122625
D	* Nameplate	1	A-62245
E	Armature & Base Assembly	1	B-222313-A
F	Disc Spring	3	0013X129
G	Trough Mounting Bracket	1	C-222308-B
H	Air Gap Adjustment Screw	1	A-222358-001
	Plain Washer Ni PI (M12)	1	BN342M12NI
I	Cap Screw, Hex Hd, Ni PI (M10 x 40)	3	BN54M10X40NI
J	Cap Screw, Hex Hd, Ni PI (M10 x 30)	2	BN54M10X30NI
K	Cap Screw, Hex Hd, Ni PI (M10 x 35)	2	BN54M10X35NI
M	Front Spring Clamp, Ni PI	4	A-222300-B
N	Front Spring	4	A-222299-C
	Front Spring	If	A-222299-B
	Front Spring	Req'd	A-222299-A
P	Front Spring Spacer	12	A-222301-001
Q	Foot Mounting Bracket	1	A-222305-002
R	* Label (Adjustment)	1	A-195774
S	Rubber Foot	{	A-222439-001
	Rubber Foot (Double Stud)	4 Only {	A-222440-002
	Rubber Foot (Sandwich Type)	{	A-222441-002
	Acom Nut Ni PI (M6)	2	BN149M6NI
	Lock Washer, Ni PI (M6)	2	BN761M6NI
T	Mach Screw, Rd Hd, Br (M4 x 10 Br)	1	BN1404M4X10
	Lock Washer, Ni PI (M4)	1	BN761M4NI
U	Cable Grip (240V Units Only)	1	0102X079
V	Cable Assembly (240V Units Only)	1	C-160136-Z04
	Butt Connector (240V Units Only)	1	0202X005
W	Rear Spring	1	A-222302-A
	Rear Spring	3	A-222302-B
	Rear Spring	If Req'd	A-222302-C
X	Hex Nut, Ni PI (M10)	3	BN115M10NI
Y	Rear Spring Seat & Clamp Bar, Ni PI	3	A-222303-B
Z	Rear Spring Spacer	10	A-222304-001
AA	Stud, Ni PI	3	A-222310-003
BB	Cap Screw, FI Hd, Ni PI (M8 x 16)	4	BN20M8X16NI
	Sealant	As Req'd	0185X053
CC	■ Label (Caution)	1	A-125694
DD	Ground Strap	1	B-222368
	Flat Washer M10, Ni PI	2	BN342M10NI

■ Do not remove or paint over safety labels. If safety labels need replaced, contact Syntron Material Handling for an additional supply free of charge.

Important

Syntron Material Handling reserves the right to alter at any time, without notice and without liability or other obligations on its part, materials, equipment specifications, and models. Syntron Material Handling also reserves the right to discontinue the manufacture of models, parts, and components thereof.

Your satisfaction is very important to us. Please direct any comments, questions, or concerns to our Marketing Communications Department.

Syntron Material Handling

Corporate Office

P.O. Box 1370

Tupelo, Mississippi 38802

Phone: 662.869.5711

Fax: 662.869.7449

Syntron®
Link-Belt®

Tupelo

2730 Hwy 145 South
Saltillo, Mississippi 38866

Phone: 662.869.5711

Fax: 662.869.7493

Toll Free: 800.356.4898

info@syntronmh.com

Changshu

#2 Road No. 1

Changshu Export Processing Zone

Changshu, Jiangsu, China 215513

Phone: +86 0512.52299002

Fax: +86 0512.52297228

info@syntronmh.com