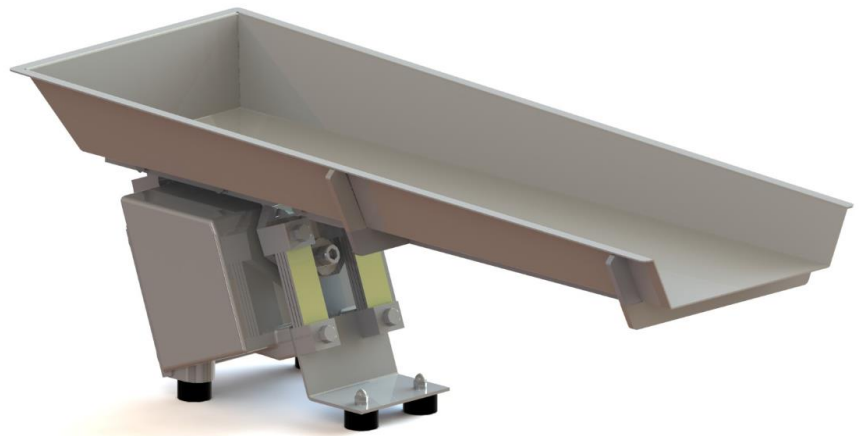
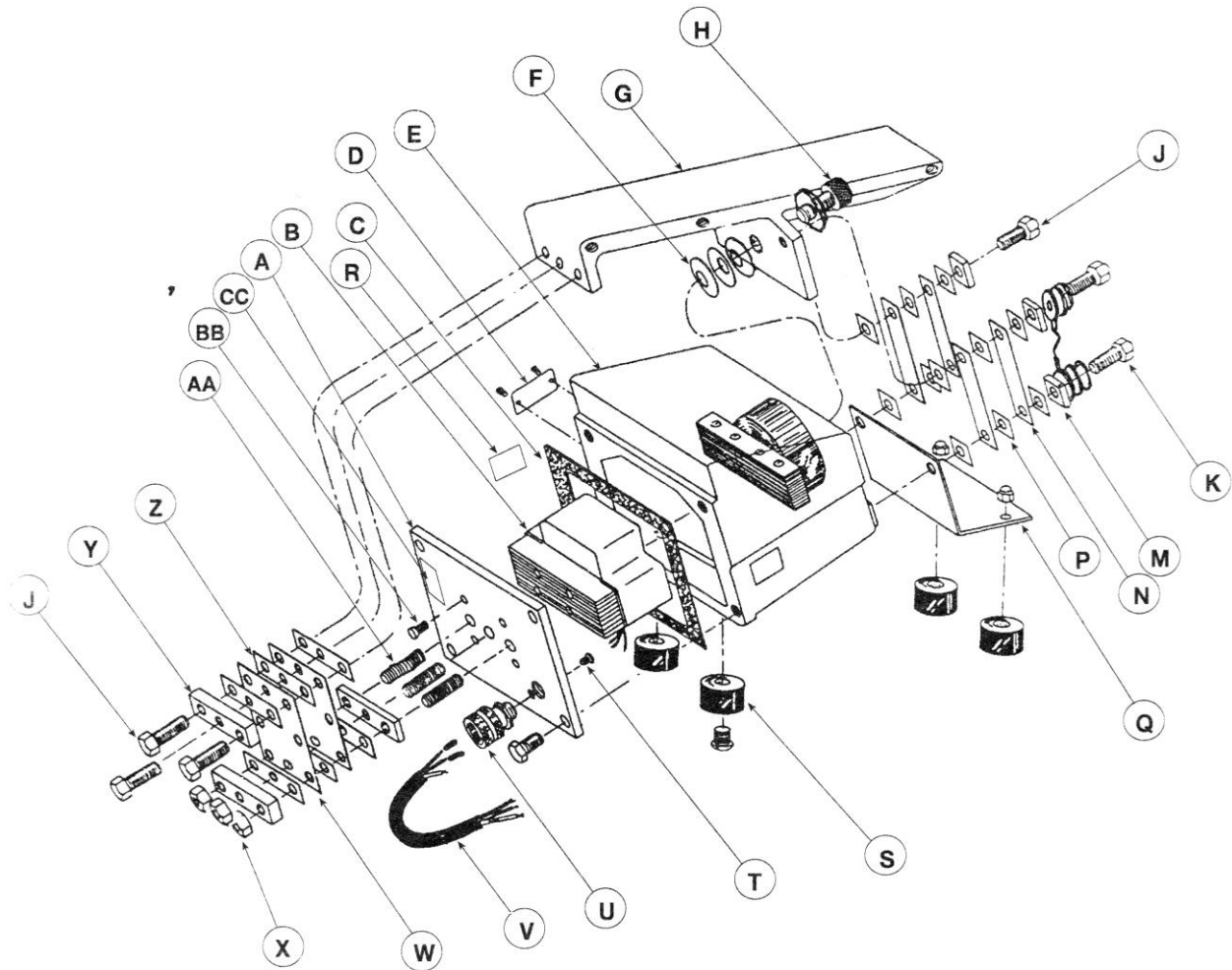


Service Instructions

Syntron®
Electromagnetic
Vibratory Feeder
Model:
BF-2-B/BF-2-BS
BF-2-H/BF-2-HS





PARTS LIST –BF-2-B & BF-2-BS ELECTROMAGNETIC FEEDERS

ITEM	DESCRIPTION	PART NO	QTY
A	Back Plate.....	152538	1
	Cap Screw, Hex Hd., Zn. Pl. (3/8"-16 x 1").....	H0344424	4
	Cap Screw, Hex Hd., S.S. (3/8"-16 x 1").....	H0310203	Only
B	Magnet & Cable Assembly (115V/60 Hz).....	152676-AZ	
	Magnet & Cable Assembly (230V/60 Hz).....	152676-BA	
	Magnet & Cable Assembly (460V/60 Hz).....	152676-BB	1
	Magnet & Cable Assembly (115V/50 Hz).....	152676-BC	Only
	Magnet & Cable Assembly (230V/50 Hz).....	152676-BD	
	Magnet & Cable Assembly (380V/50 Hz).....	152676-BE	
C	Gasket.....	6510-044-001	1
D	** Nameplate.....	062245	1
E	Armature & Base Assembly.....	115905	1
F	Belleville Spring Washer.....	0013X125	3

PARTS LISTS (cont'd)

ITEM	DESCRIPTION	PART NO	Qty.
G	Trough Mounting Bracket.....	6510-028-001	1

H	Air Gap Adjustment Screw (Zinc Pl)	H0404410]	1
	Air Gap Adjustment Screw (S.S.)	H0431202]	Only
	Plain Washer Zn.Pl. (1/2")	H0117301]	1
	Plain Washer S.S. (1/2")	H0117202]	Only
J,K	Cap Screw, Hex Hd., Zn.Pl. (3/8"-16 x 1 1/2")	H0338824	*
	Cap Screw Hex Hd., S.S. (3/8"-16 x 1 1/2")	H0340926	*
M	Front Spring Clamp, Zn.Pl.	115888	4
	Front Spring Clamp, S.S.	224637-001	Only
N	Front Spring	13-ply 115884-C01	*
	Front Spring	11-ply 115884-B01	*
P	Front Spring	9-ply 115884-A01	*
	Front Spring Spacer	115887	12
Q	Foot Mounting Bracket	115875-001	1
R	** Label (Adjustment)	195774	1
S	Rubber Foot	0207X038	4
	Rubber Foot (Double Stud)	0207X035	Only
	Rubber Foot (Sandwich Type)	0207X039	
	Acorn Nut Chr. Pl. (1/4"-20)	H0101607	2
	Acorn Nut S.S. (1/4"-20)	H0110502	Only
	Lock Washer, Zn. Pl. (1/4")	H0112809	2
	Lock Washer, S.S. (1/4")	H0112802	Only
T	Mach. Screw, Rd. Hd., Br. (#10-32 x 3/8")	H0203102	1
	Lock Washer, Zn. Pl. (#10)	H0112409	1
U	Cable Grip	0102X010	1
V	Cable Assembly	60 Hz 6510-027-E	1
	Cable Assembly	50 Hz 6510-027-F	Only
	Butt Connector	0202X002	2
W	Rear Spring	11-ply 66201-A01	*
	Rear Spring	13-ply 66201-B01	*
	Rear Spring	9-ply 66201-C01	*
X	Hex Nut, Zn. Pl. (3/8"-16)	H0103001	3
	Hex Nut, S.S. (3/8"-16)	H0111580	Only
Y	Rear Spring Seat & Clamp Bar, Zn.Pl.	115885	3
	Rear Spring Seat & Clamp Bar, S.S.	224636-001	Only
Z	Rear Spring Spacer	115886	8
AA	Stud, Zn. Pl.	115938	3
	Stud, S.S.	224635-001	Only
BB	Cap Screw, Fl. Hd., Zn.Pl. (5/16"-18 x 5/8")	H0435511	4
	Cap Screw, Hex Hd., S.S. (5/16"-18 x 5/8")	H0431311	Only
	Sealant	0185X053	As
Req'd.			
CC	** Label (Caution)	125694	1

* See tables on following pages for quantity

** Do not remove or paint over safety labels or the nameplate. If safety labels need replaced, contact Syntron Material Handling for an additional supply free of charge.

FEEDER TUNING

Each BF-2 drive is provided with a standard spring arrangement that will be a good starting point for a standard 16 lb pan. Due to minor variations in spring stiffness and trough weights, the quantity of springs may need to be decreased or increased to obtain the correct tuning. The thickness of each spring is determined by the number of plies. Each ply is approximately 0.010" thick. So a 13-ply spring is 0.130" thick. This information is provided as a guide for tuning purposes.

Note: These quantities are adjustable and are merely estimates to obtain proper tuning. If the desired stroke is not reached with the given quantities then add or remove springs as needed.

Model: BF-2-B (60 Hz)

U.S./Canada

BF-2-B (60 Hz) Trough Wt. (lbs.)	Front Spring Quantity				Rear Spring Quantity			
	13-ply	11-ply	9-ply	Front Bolt (4 pcs.)	13-ply	11-ply	9-ply	Rear Bolt (3pcs.)
12	8	-	-	3/8"-16 x 1 1/2"	-	3	-	3/8"-16 x 1 1/2"
12.5	8	-	-	3/8"-16 x 1 1/2"	1	1	1	3/8"-16 x 1 1/2"
13	8	-	-	3/8"-16 x 1 1/2"	1	-	3	3/8"-16 x 1 1/2"
13.5	8	-	-	3/8"-16 x 1 1/2"	-	3	1	3/8"-16 x 1 1/2"
14	8	-	-	3/8"-16 x 1 1/2"	2	1	-	3/8"-16 x 1 1/2"
14.5	8	-	-	3/8"-16 x 1 1/2"	1	1	2	3/8"-16 x 1 1/2"
* 15	8	-	-	3/8"-16 x 1 1/2"	2	1	-	3/8"-16 x 1 1/2"
15.5	6	2	-	3/8"-16 x 1 1/2"	1	3	-	3/8"-16 x 1 1/2"
16	8	-	-	3/8"-16 x 1 1/2"	2	-	2	3/8"-16 x 1 1/2"
16.5	8	-	-	3/8"-16 x 1 1/2"	2	1	1	3/8"-16 x 1 1/2"
17	8	-	-	3/8"-16 x 1 1/2"	3	-	-	3/8"-16 x 1 1/2"
17.5	8	-	-	3/8"-16 x 1 1/2"	2	2	-	3/8"-16 x 1 1/2"
18	8	-	-	3/8"-16 x 1 1/2"	3	-	1	3/8"-16 x 1 1/2"
19	8	-	2	3/8"-16 x 1 1/2"	2	2	-	3/8"-16 x 1 1/2"
20	8	-	-	3/8"-16 x 1 1/2"	3	1	-	3/8"-16 x 1 1/2"
21	8	-	2	3/8"-16 x 1 1/2"	3	1	-	3/8"-16 x 1 1/2"
22	8	-	-	3/8"-16 x 1 1/2"	4	-	-	3/8"-16 x 1 1/2"
23	8	-	-	3/8"-16 x 1 1/2"	4	-	-	3/8"-16 x 1 1/2"

*Standard spring arrangement provided on drive.

Model: BF-2-B (50 Hz)

U.K/Europe

Trough Wt. (lbs.)	Front Spring Quantity				Rear Spring Quantity			
	13-ply	11-ply	9-ply	Front Bolt (4 pcs.)	13-ply	11-ply	9-ply	Rear Bolt (3 pcs.)
12	4	-	-	3/8"-16 x 1 1/4"	-	1	3	3/8"-16 x 1 1/2"
12.5	4	-	-	3/8"-16 x 1 1/4"	1	-	2	3/8"-16 x 1 1/2"
13	4	-	-	3/8"-16 x 1 1/4"	-	3	-	3/8"-16 x 1 1/2"
13.5	4	-	-	3/8"-16 x 1 1/4"	1	1	1	3/8"-16 x 1 1/2"
14	4	-	-	3/8"-16 x 1 1/4"	1	-	3	3/8"-16 x 1 1/2"
14.5	4	-	-	3/8"-16 x 1 1/4"	-	3	1	3/8"-16 x 1 1/2"
15	4	-	-	3/8"-16 x 1 1/4"	1	1	2	3/8"-16 x 1 1/2"
15.5	4	-	-	3/8"-16 x 1 1/4"	2	-	1	3/8"-16 x 1 1/2"
16	4	-	2	3/8"-16 x 1 1/4"	-	3	1	3/8"-16 x 1 1/2"
16.5	4	-	-	3/8"-16 x 1 1/4"	1	2	1	3/8"-16 x 1 1/2"
* 17	4	-	-	3/8"-16 x 1 1/4"	2	1	-	3/8"-16 x 1 1/2"
18	4	-	-	3/8"-16 x 1 1/4"	2	-	2	3/8"-16 x 1 1/2"
18.5	4	-	-	3/8"-16 x 1 1/4"	1	3	-	3/8"-16 x 1 1/2"
19	4	-	-	3/8"-16 x 1 1/4"	2	1	1	3/8"-16 x 1 1/2"
19.5	4	-	-	3/8"-16 x 1 1/4"	3	-	-	3/8"-16 x 1 1/2"
20	6	-	-	3/8"-16 x 1 1/4"	1	1	2	3/8"-16 x 1 1/2"
21	4	-	-	3/8"-16 x 1 1/4"	2	2	-	3/8"-16 x 1 1/2"
22	4	-	-	3/8"-16 x 1 1/4"	2	2	-	3/8"-16 x 1 1/2"

*Standard spring arrangement provided on drive.

Model: BF-2-H (60 Hz)

U.S./Canada

Trough Wt. (lbs.)	Front Spring Assembly			Front Bolt (4 pcs.)	Rear Spring Assembly			Rear Bolt (3 pcs.)
	13-ply	11-ply	9-ply		13-ply	11-ply	9-ply	
12	4	-	2	3/8"-16 x 1 1/4"	1	1	1	3/8"-16 x 1 1/2"
12.5	4	-	1	3/8"-16 x 1 1/4"	1	2	-	3/8"-16 x 1 1/2"
13	4	-	2	3/8"-16 x 1 1/4"	1	2	-	3/8"-16 x 1 1/2"
13.5	4	-	2	3/8"-16 x 1 1/4"	1	1	2	3/8"-16 x 1 1/2"
14	4	1	1	3/8"-16 x 1 1/4"	1	2	-	3/8"-16 x 1 1/2"
14.5	4	1	1	3/8"-16 x 1 1/4"	2	-	1	3/8"-16 x 1 1/2"
15	4	2	-	3/8"-16 x 1 1/4"	2	-	1	3/8"-16 x 1 1/2"
15.5	4	1	1	3/8"-16 x 1 1/4"	2	1	-	3/8"-16 x 1 1/2"
* 16	4	2	-	3/8"-16 x 1 1/4"	2	1	-	3/8"-16 x 1 1/2"
16.5	4	2	1	3/8"-16 x 1 1/4"	2	1	-	3/8"-16 x 1 1/2"
17	4	-	3	3/8"-16 x 1 1/4"	2	1	1	3/8"-16 x 1 1/2"
17.5	4	2	-	3/8"-16 x 1 1/4"	2	1	1	3/8"-16 x 1 1/2"
18	4	2	3	3/8"-16 x 1 1/2"	2	1	-	3/8"-16 x 1 1/2"
19	4	2	-	3/8"-16 x 1 1/4"	2	2	-	3/8"-16 x 1 1/2"
20	4	2	2	3/8"-16 x 1 1/2"	3	-	-	3/8"-16 x 1 1/2"
21	5	1	-	3/8"-16 x 1 1/4"	3	-	1	3/8"-16 x 1 1/2"
22	6	-	-	3/8"-16 x 1 1/4"	3	-	1	3/8"-16 x 1 1/2"

*Standard spring arrangement provided on drive.

Model: BF-2-H (50 Hz)

U.K./Europe

Trough Wt. (lbs.)	Front Spring Assembly				Rear Spring Assembly			
	13-ply	11-ply	9-ply	Front Bolt (4 pcs.)	13-ply	11-ply	9-ply	Rear Bolt (3 pcs.)
12	-	2	5	3/8"-16 x 1 1/4"	-	1	2	3/8"-16 x 1 1/4"
12.5	-	4	2	3/8"-16 x 1 1/4"	-	1	2	3/8"-16 x 1 1/4"
13	-	2	4	3/8"-16 x 1 1/4"	-	2	1	3/8"-16 x 1 1/2"
13.5	-	2	4	3/8"-16 x 1 1/4"	-	1	3	3/8"-16 x 1 1/2"
14	-	2	4	3/8"-16 x 1 1/4"	1	-	2	3/8"-16 x 1 1/2"
14.5	-	4	2	3/8"-16 x 1 1/4"	-	2	1	3/8"-16 x 1 1/2"
15	-	2	4	3/8"-16 x 1 1/4"	-	3	-	3/8"-16 x 1 1/2"
15.5	-	2	4	3/8"-16 x 1 1/4"	-	2	2	3/8"-16 x 1 1/2"
* 16	-	2	4	3/8"-16 x 1 1/4"	1	1	1	3/8"-16 x 1 1/2"
16.5	-	2	4	3/8"-16 x 1 1/4"	1	-	3	3/8"-16 x 1 1/2"
17	-	4	2	3/8"-16 x 1 1/4"	-	3	-	3/8"-16 x 1 1/2"
17.5	-	2	4	3/8"-16 x 1 1/4"	-	3	1	3/8"-16 x 1 1/2"
18	-	4	2	3/8"-16 x 1 1/4"	1	1	1	3/8"-16 x 1 1/2"
18.5	-	2	4	3/8"-16 x 1 1/4"	1	1	2	3/8"-16 x 1 1/2"
19	-	2	4	3/8"-16 x 1 1/4"	1	-	4	3/8"-16 x 1 1/2"
19.5	-	4	2	3/8"-16 x 1 1/4"	1	2	-	3/8"-16 x 1 1/2"
20	-	2	4	3/8"-16 x 1 1/4"	1	2	1	3/8"-16 x 1 1/2"
21	-	2	4	3/8"-16 x 1 1/4"	1	2	1	3/8"-16 x 1 1/2"

*Standard spring arrangement provided on drive.

Important

Syntron Material Handling reserves the right to alter at any time, without notice and without liability or other obligations on its part, materials, equipment specifications, and models. Syntron Material Handling also reserves the right to discontinue the manufacture of models, parts, and components thereof.

Your satisfaction is very important to us. Please direct any comments, questions, or concerns to our Marketing Communications Department.

Syntron Material Handling

Corporate Office

P.O. Box 1370

Tupelo, Mississippi 38802

Phone: 662.869.5711

Fax: 662.869.7449

Form No. SM0530_082317 Printed in U.S.A

Syntron®
Link-Belt®

Tupelo

2730 Hwy 145 South
Saltillo, Mississippi 38866

Phone: 662.869.5711

Fax: 662.869.7493

Toll Free: 800.356.4898

info@syntronmh.com

Changshu

#2 Road No. 1

Changshu Export Processing Zone

Changshu, Jiangsu, China 215513

Phone: +86 0512.52299002

Fax: +86 0512.52297228

info@syntronmh.com