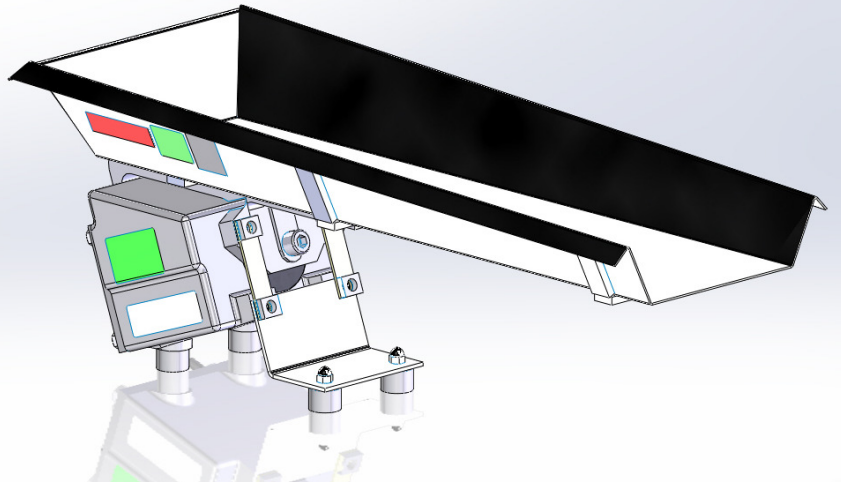
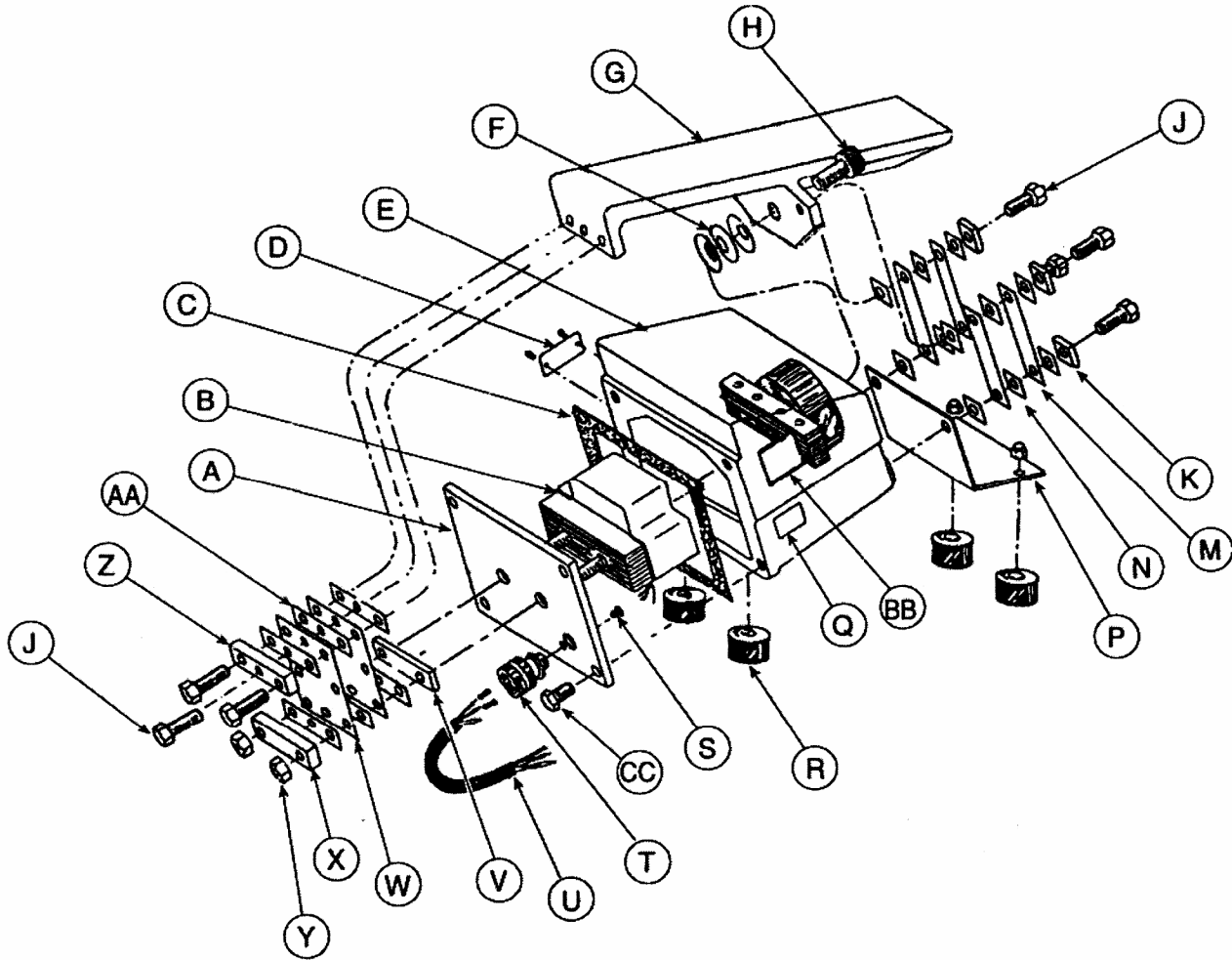


Service Instructions

Syntron®
Electromagnetic
Vibratory Feeder
Model: BF-01-C
BF-01-CS





PARTS LIST -BF-01-C & BF-01-CS ELECTROMAGNETIC FEEDERS

ITEM	DESCRIPTION	PART NO	QTY
A	Back Plate.....	A-109715-A	1
B	Magnet Assembly (115V/60 Hz).....	B-121765-M]	1
	Magnet Assembly (230V/60 Hz).....	B-121765-N]	
	Magnet Assembly (115V/50 Hz).....	B-121765-P]	
	Magnet Assembly (230V/50 Hz).....	B-121765-Q]	
C	Gasket	A-117879	1
D	* Nameplate	A-62245	1
E	Armature & Base Assembly.....	B-121763	1
F	Disc Spring	0013X125	3
G	Trough Mounting Bracket	C-121769-A	1
H	Air Gap Adjustment Screw (Nickel Plated).....	H0407610]	1
	Air Gap Adjustment Screw (Stainless Steel)	H0424702]	
J	Cap Screw, Hex Hd., Ni. Pl. (3/8"-16 x 1 1/4")	H0310322]	7
	Cap screw Hex Hd., Ni. Pl. (3/8"-16 x 1")	H0310222]	
	Cap Screw Hex Hd., S.S (3/8"-16 x 1 1/4")	H0340826]	
	Cap Screw Hex Hd., S.S. (3/8"-16 x 1")	H0340726]	
	Cap Screw Hex Hd., S.S. (3/8"-16 x 1")	H0340726]	
K	Front Spring Clamp	A-109729-A]	4
	Front Spring Clamp	A-192451]	

PARTS LIST con't.

ITEM	DESCRIPTION	PART NO	QTY
M	Front Spring	A-109727-B01]	As
	Front Spring	A-109727-A01]	Req'd.
N	Front Spring Spacer	A-109728	As Req'd
P	Foot Mounting Bracket	A-121770	1
Q	* Caution Label (Dics Elec.).....	A-125694	1
R	Rubber Foot.....	0207X033]	4
	Rubber Foot (Stud Type).....	0207X040]	Only
	Rubber Foot (Sandwich Type).....	0207X037]	
	Acorn Nut Chr. Pl. (1/4"-20).....	H0101607]	2
	Acorn Nut S.S. (1/4"-20).....	H0110502]	Only
	Lock Washer, Ni. Pl. (1/4")	H0116656]	2
	Lock Washer, S.S. (1/4")	H0116602]	Only
S	Mach. Screw, Rd. Hd., Br. (#10-32 x 3/8")	H0203102	1
	Lock Washer, Ni. Pl. (#10).....	H0112458]	1
	Lock Washer, S.S. (1/4")	H0112402]	Only
T	Cable Grip	0102X001]	1
U	Cable Assembly.....	C-160136-C	1
	Butt Connector.....	0202X038	2
V	Rear Spring Spacer	A-114711	8
	Rear Spring Spacer	A-192452	Only
W	Rear Spring.....	A-150725-A	As
	Rear Spring.....	A-150725-B	Req'd.
	Rear Spring.....	A-150725-C	
X	Rear Spring Clamp (Bottom) NiPl.....	A-59177]	1
	Rear Spring Clamp (Bottom) S.S.	B-192454]	Only
Y	Hex Nut, Ni. Pl. (3/8"-16)	H0103059	2
	Hex Nut, S.S. (3/8"-16).....	H0111580]	Only
Z	Rear Spring Clamp Bar (Top) Ni.Pl.	A-150726]	1
	Rear Spring Clamp Bar (Top) S.S.....	A-192453]	Only
AA	Rear Spring Spacer	A-111097]	As.Req'd
BB	*Adjustment Label	A-195774	1
CC	Cap Screw, Hx Hd, Ni.Pl. (3/8-16 x 3/4").....	H0310023]	4
	Cap Screw, Hx Hd, S.S. (3/8-16 x 3/4")	H0310003]	Only

Do not remove or paint over safety labels or the nameplate. If safety labels need replaced, contact Syntron Material Handling for an additional supply free of charge.

Important

Syntron Material Handling reserves the right to alter at any time, without notice and without liability or other obligations on its part, materials, equipment specifications, and models. Syntron Material Handling also reserves the right to discontinue the manufacture of models, parts, and components thereof.

Your satisfaction is very important to us. Please direct any comments, questions, or concerns to our Marketing Communications Department.

Syntron Material Handling

Corporate Office

P.O. Box 1370

Tupelo, Mississippi 38802

Phone: 662.869.5711

Fax: 662.869.7449

Syntron®
Link-Belt®

Tupelo

2730 Hwy 145 South
Saltillo, Mississippi 38866

Phone: 662.869.5711

Fax: 662.869.7493

Toll Free: 800.356.4898

info@syntronmh.com

Changshu

#2 Road No. 1

Changshu Export Processing Zone

Changshu, Jiangsu, China 215513

Phone: +86 0512.52299002

Fax: +86 0512.52297228

info@syntronmh.com