

Service Instructions

Syntron®
Vibrator
Model: V-2-B



Service Manual
Syntron®
Electromagnetic Vibrator
Model: V-2-B

TABLE OF CONTENTS

GENERAL	PAGE
Safety Warnings.....	2
Introduction	3
Installation	3
Operation	3
Air Gap Adjustment	4
Trouble shooting	4
..	
Parts Diagram.....	5
.	
Parts List.....	5

Thank you for buying your equipment from Syntron Material Handling. This service manual is provided to assist in the operation and maintenance of your Syntron Material Handling equipment.

SAFETY INSTRUCTIONS

The purpose of safety symbols is to attract your attention to possible danger. Safety symbols, and their explanations, deserve careful attention and understanding. The Safety warnings do not by themselves eliminate any danger. The instructions or warnings they give are not substitutes for proper safety procedures.

SYMBOL MEANING



Safety Alert Symbol: Indicates **DANGER, WARNING, OR CAUTION.**

In conjunction Attention is required in order to avoid serious personal injury. This symbol may also be used with other symbols or pictographs.

NOTE: Notes advise you of information or instructions vital to the operation or maintenance of the Equipment.

IMPORTANT SAFETY INFORMATION

READ ALL INSTRUCTIONS BEFORE OPERATING

- Upon receipt, unpack and inspect the unit for damages that may have occurred during shipment. If damage is found, contact the shipping carrier and Syntron Material Handling immediately.
- Read instructions carefully. Be familiar with the controls and proper use of the unit.
- Do not operate the unit when Tired, ill, or under the influence of alcohol, drugs or medication.

Product safety labels must remain highly visible on the equipment. Establish a regular schedule to check visibility. If you need to replace safety labels, contact Syntron Material Handling for an additional supply free of charge.

The instructions and data in this manual are vital to the proper installation and operation of this equipment. In order to avoid delays due to faulty installation and operation of this equipment. In order to avoid faulty installation and operation, please see that these instructions are read by the persons who will install, operate and maintain this equipment.

NOTE: Supporting information, such as drawings, may be attached to the manual. The information contained therein takes precedence over corresponding information printed in this manual.

INTRODUCTION

The Syntron® Electromagnetic Vibrator Model V-2-B applies vibration to bulk material, keeping the particles agitated and in a free-flowing condition.

The V-2-B vibrator can be operated directly from an AC power supply with or without a standard control.

INSTALLATION

The Syntron V-2-B vibrator may be installed in any position. The mounting bar is provided with a 13/32-inch, 10.3 mm diameter mounting hole. The bolt must be securely tightened with a locknut and lock washer. Check frequently to see that this bolt remains tight.

At the time of installation, verify that the voltage is correct, and that the current draw does not exceed the rating designated on the vibrator nameplate.

OPERATION

NOTE: If the vibrator is installed on a hopper, do not operate the vibrator while the hopper is closed: vibratory action will compact hopper contents.

To operate the vibrator, simply connect the leads to a proper power supply (a supply which meets local and national electrical safety standards). If a control is furnished, the vibrator is connected to the control terminals and the control to the power supply. The use of a control permits output of the vibrator to be controlled by turning the rheostat knob; clockwise to increase output, and counterclockwise to decrease output.

CAUTION: If current draw is excessive (the armature and magnet assemblies begin to strike), decrease the rheostat setting until the striking stops, indicated by the diminishing striking noise. Refer to the Air Gap Adjustment instructions.

AIR GAP ADJUSTMENT

(Too narrow of an air gap will cause a striking condition, too wide of an air gap will cause excessive current draw). If the armature assembly strikes the core assembly (indicated by loud rapping noise) an adjustment of the air gap is necessary, See Figure 1. To adjust the air gap; turn the control (if used) to maximum setting, loosen the locknut (J*) on top of the vibrator and adjust the armature (F*) by turning the adjustment screw counterclockwise until the striking just stops.

Tighten the locknut. Check the current draw of the vibrator; it must not exceed current requirements designated on the vibrator nameplate.

NOTE: *Refer to the parts diagram for part designators.

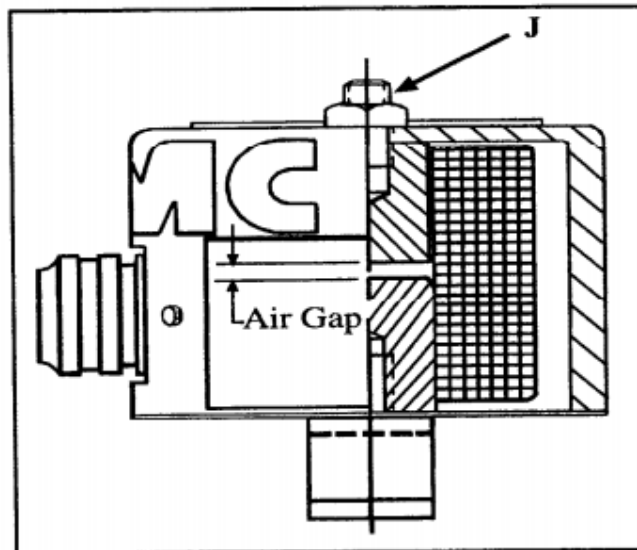


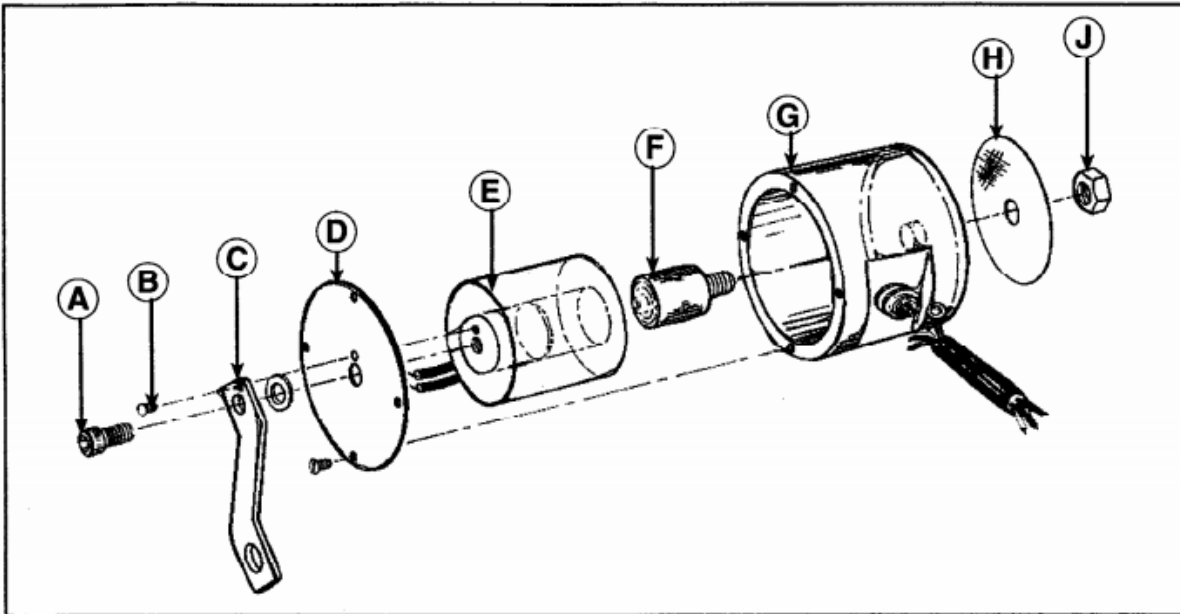
FIGURE 1: AIR GAP ADJUSTMENT

TROUBLESHOOTING

PROBLEM	CAUSE	CORRECTION
Vibrator operates below capacity	Loose Hardware Air Gap too narrow Defective Magnet Cracked Disc Spring	Repair Adjust or open air gap Replace* Replace*
Vibrator does not run	Loose connections in control Defective Control	Repair Replace*

* Replace only with parts supplied or recommended by Syntron Material Handling.

PARTS DIAGRAM



PARTS LIST

ITEM	QTY	DESCRIPTION	PART NO.
A	1	Cap Screw Soc. (1/4"-20 x 1/2")	H0416500
	1	Plainwasher (1/4")	H0112845
B	1	Drive Screw (#6 x 1/4")	H0438400
C	1	Mounting Bar	161019-001
D	1	Disc	161018-001
	4	Mach. Screw, Rd. Hd. (#6-32 x 3/16")	H0200501
E	1	Core, Coil and Cable Assembly (115V/50-60 Cy)	172844-A
	1	Core, Coil and Cable Assembly (only 230V/60 Cy)	172844-B
F	1	Armature Assembly	062757
G	1	Cap Assembly	161021-A
	1	Compression Nut	102X040
		Grommet	102X041
		Washer	102X042
		Lockwasher #10	H0112404
		Mach. Scr. Pan Hd. Br. (10-32 x 3/16")	H0215602
		* Caution Label	125694
H		Nameplate	164432-001
J		Hex Nut (5/16"-24)	H0102604

* Do not remove or paint over safety labels. Should safety labels require replacement, contact Syntrol Material Handling LLC.

Important

Please be sure to include the following information when ordering replacement parts:

1. Machine model name
2. Factory Order Number
3. Quantity of parts required
4. Syntron Material Handling part number (from manual)
5. Description of part
6. Shipping instructions

Syntron Material Handling reserves the right to alter at any time, without notice and without liability or other obligations on its part, materials, equipment specifications, and models. Syntron Material Handling also reserves the right to discontinue the manufacture of models, parts, and components thereof.

Your satisfaction is very important to us. Please direct any comments, questions, or concerns to our Marketing Communications Department.

Syntron Material Handling

Corporate Office

P.O. Box 1370
Tupelo, Mississippi 38802
Phone: 662.869.5711
Fax: 662.869.7449

Syntron®
Link-Belt®

Tupelo

2730 Hwy 145 South
Salttilo, Mississippi 38866
Phone: 662.869.5711
Fax: 662.869.7493
Toll Free: 800.356.4898
info@syntronmh.com

Changshu

#2 Road No. 1
Changshu Export Processing Zone
Changshu, Jiangsu, China 215513
Phone: +86 0512.52299002
Fax: +86 0512.52297228
info@syntronmh.com