

## Model HV-10 Features

### Suitable for a Wide Range of Applications:

- Trough Weight 4-12 lb.
- 50/60 Hz Design
- Stable Footprint
- IP-66
- Wide Range of Input Voltage
- CSA Certified
- Low Profile Design

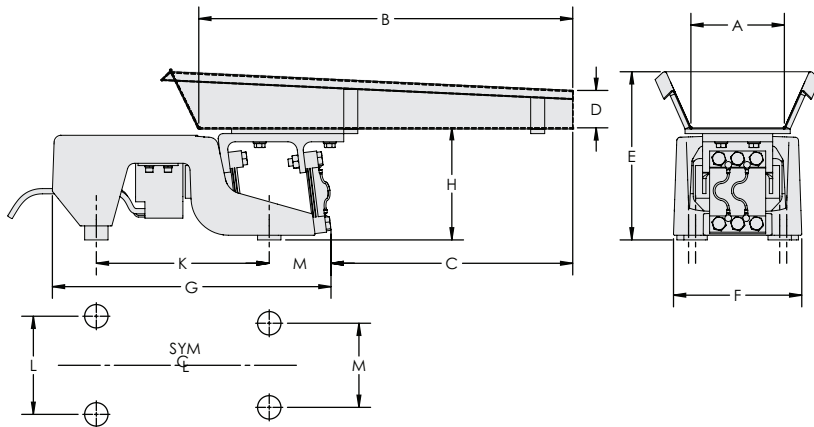
### Great for Use in Food Processing and Packaging:

- Low Product Degradation
- Uniform Material Flow at Discharge
- Multiple Mounting Configurations
- Sanitary Design
- Single Tool Air Gap Adjustment
- Super Resonant Tuning
- Wash Down Capable
- Open Magnet Design
- Linear Speed Control

## Model HV-10

Trough Type		A	B	C	D	E *	F	G	H *	K	L	M
Std. Flat Pan	(in)	6	24	12 <sup>15/16</sup>	2	9	6 <sup>7/8</sup>	14 <sup>13/16</sup>	6	9 <sup>1/4</sup>	5 <sup>1/4</sup>	4 <sup>1/2</sup>
	(mm)	152	610	329	51	229	175	376	152	235	133	114
Spec. Flat Pan	(in)	5	20	10 <sup>15/16</sup>	2	9	6 <sup>7/8</sup>	14 <sup>13/16</sup>	6	9 <sup>1/4</sup>	5 <sup>1/4</sup>	4 <sup>1/2</sup>
	(mm)	127	508	278	51	229	175	376	152	235	133	114
Spec. Flat Pan	(in)	8	20	10 <sup>15/16</sup>	2	10	6 <sup>7/8</sup>	14 <sup>13/16</sup>	7	9 <sup>1/4</sup>	5 <sup>1/4</sup>	4 <sup>1/2</sup>
	(mm)	203	508	278	51	254	175	376	178	235	133	114
Spec. Flat Pan	(in)	10	20	10 <sup>15/16</sup>	2	10	6 <sup>7/8</sup>	14 <sup>13/16</sup>	7	9 <sup>1/4</sup>	5 <sup>1/4</sup>	4 <sup>1/2</sup>
	(mm)	254	508	278	51	254	175	376	178	235	133	114
Spec. Flat Pan	(in)	12	14	6 <sup>11/16</sup>	2	10	6 <sup>7/8</sup>	14 <sup>13/16</sup>	7	9 <sup>1/4</sup>	5 <sup>1/4</sup>	4 <sup>1/2</sup>
	(mm)	305	356	170	51	254	175	376	178	235	133	114

HV-10



\* Reference page 19 Mounting Codes

