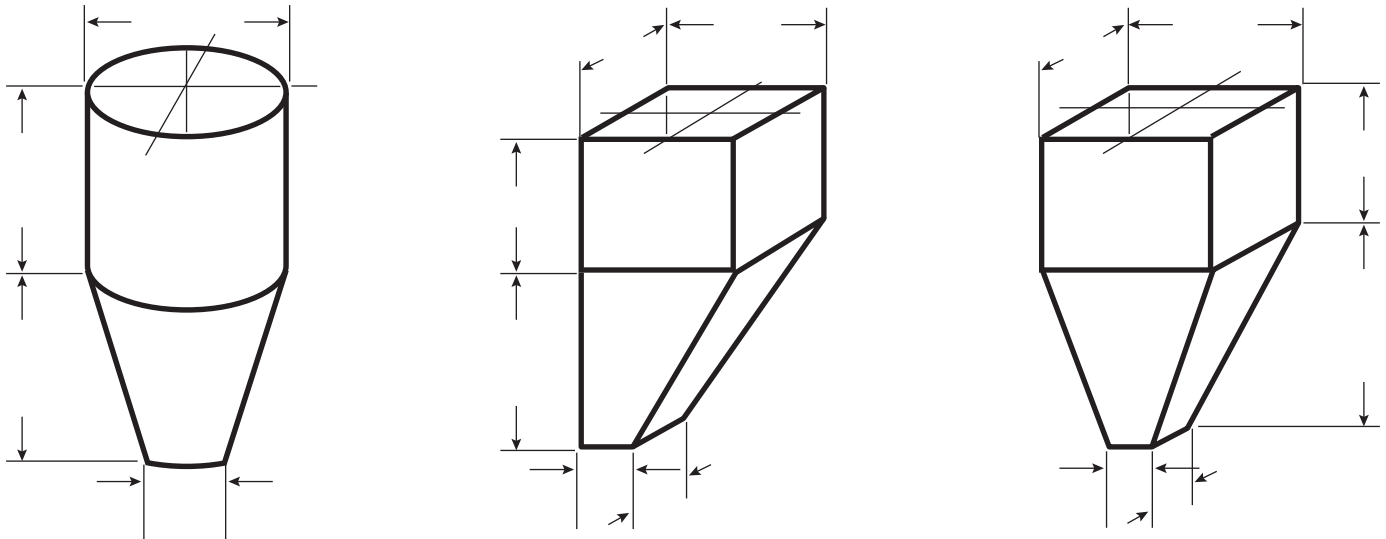


# VIBRATOR DATA SHEET

Supplement this data sheet with additional comments and/or drawings that will assist in a complete description of the application.

<b>Material to be Handled</b>	<b>Name or Description</b>	<b>Samples being Furnished</b> <input type="checkbox"/> Yes <input type="checkbox"/> To be Returned <input type="checkbox"/> No <input type="checkbox"/> To be Destroyed			
<b>Maximum Weight in Bin or Hopper</b> _____ <b>LBS.</b>	<b>Tendency to</b> <input type="checkbox"/> Arch <input type="checkbox"/> Rathole	<b>Fineness (Attach screen analysis, if possible)</b>	<b>Weight</b> _____ lbs. Per cubic ft.	<b>Moisture Content</b> _____ %	<b>Temperature</b> _____ °F
<b>Bin or Hopper</b>	<b>Location of Inlet Opening</b>	<b>Angle of Bottom</b> _____ ° From Horizontal		<b>Discharge</b> <input type="checkbox"/> Intermittently <input type="checkbox"/> Continuously	
<b>Size of Bin or Hopper (Please enter all dimensions in feet and inches.)</b>			<b>Size of Discharge Opening</b>		
<b>Diameter</b> _____	<b>Length</b> _____	<b>Width</b> _____	<b>Depth</b> _____	<b>Diameter</b> _____	<b>Length</b> _____

Add dimensional information. Also show reinforcing, if any, and number and location of discharge opening. Use the reverse side for sketches if necessary. Please enter all dimensions in feet and inches.



<b>Bin or Hopper Construction</b> <input type="checkbox"/> Steel: _____ Gauge <input type="checkbox"/> Welded <input type="checkbox"/> Riveted	<input type="checkbox"/> Wood: <input type="checkbox"/> Plank _____ Inches <input type="checkbox"/> Plywood _____ Thick	<input type="checkbox"/> Metal Liner _____ Gauge
---	---	--

**Special Requirements** \_\_\_\_\_

<b>Unit Preference</b> Impacting: <input type="checkbox"/> Electromagnetic ( solid <input type="checkbox"/> / Cushioned <input type="checkbox"/> ) <input type="checkbox"/> Pneumatic Piston ( solid <input type="checkbox"/> / Cushioned <input type="checkbox"/> )  Inertial <input type="checkbox"/> Electromechanical <input type="checkbox"/> Pneumatic Turbine	<b>Volts</b> _____ <b>Cycles</b> _____ <b>Phases</b> _____
---	--

<b>Customer Name</b>			<b>Quote To Attention Of</b>		<b>Phone</b>
<b>Street</b>			<b>Contract Engineer</b>		<b>Syntron Representative</b>
<b>City</b>	<b>State</b>	<b>Zip Code</b> _____ - _____	<b>Mail Quote To:</b> <input type="checkbox"/> Customer <input type="checkbox"/> Sales Office		<b>Date</b>