

BF-Series Feeders

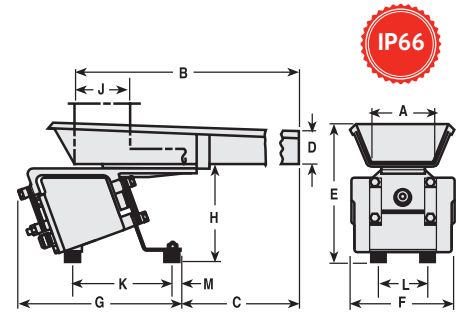
Model BF-01

Syntron® BF-01 feeder gives you maximum feed control through instantaneous material flow cutoff. Rated at a maximum capacity of 5 tons per hour, when equipped with standard 6 x 24-inch trough. Since the electromagnetic drive has an IP66 Rating, it can be cleaned with steam or water without damaging the electrical components.

Trough Type		A	B	C	D	E	F	G	H •	J	K	L	M
Std. Flat Pan	(in)	6	24	15 5/16	2	9 11/16	6 9/16	10 3/4	6 11/16	-	6 9/16	3 1/8	9/16
	(mm)	152	610	389	51	246	167	273	170	-	167	79	14
Spec. Flat Pan	(in)	5	20	13 5/16	2	9 11/16	6 9/16	10 3/4	6 11/16	-	6 9/16	3 1/8	9/16
	(mm)	127	508	338	51	246	167	273	170	-	167	79	14
Spec. Flat Pan	(in)	8	20	13 5/16	2	10 11/16	6 9/16	10 3/4	7 11/16	-	6 9/16	3 1/8	9/16
	(mm)	203	508	338	51	271	167	273	195	-	167	79	14
Spec. Flat Pan	(in)	10	20	13 5/16	2	10 11/16	6 9/16	10 3/4	7 11/16	-	6 9/16	3 1/8	9/16
	(mm)	254	508	338	51	271	167	273	195	-	167	79	14
Spec. Flat Pan	(in)	12	14	9 1/16	2	10 11/16	6 9/16	10 3/4	7 11/16	-	6 9/16	3 1/8	9/16
	(mm)	305	356	230	51	271	167	273	195	-	167	79	14
Spec. Tubular	(in)	3 dia	24	15 5/16	-	10 5/8	6 9/16	10 3/4	6 5/8	7 sq	6 9/16	3 1/8	9/16
	(mm)	76	610	389	-	270	167	273	168	178	167	79	14
Spec. Tubular	(in)	4 dia	20	9 13/16	-	11 5/8	6 9/16	10 3/4	6 5/8	8 sq	6 9/16	3 1/8	9/16
	(mm)	102	508	249	-	295	167	273	168	203	167	79	14



Syntron BF-01 Feeder



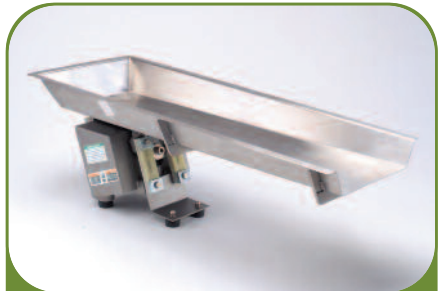
Feed Rate ■ : 5 tons per hour
Current Input : 115 V 60 cycle @ 2.3 amps

Approx Net Weight Feeder: 35 lb
Control Selection: Pages 20-21
Approx Shipping Weight Feeder and Control: 60 lb

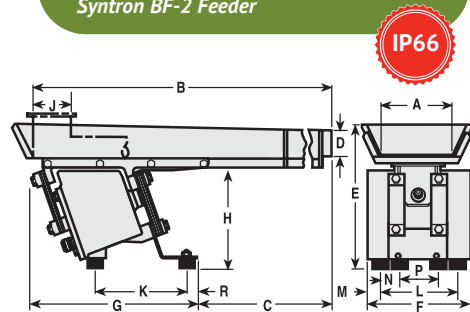
Model BF-2

Syntron® BF-2 feeder offers the same innovative features as the smaller model BF-01, but with a higher feeding capacity of 9 1/2 tons per hour. ■

Trough Type		A	B	C	D	E	F	G	H •	J	K	L	M	N	P	R
Std. Flat Pan	(in)	8	30	17 5/8	2	11 3/8	8	12 5/8	7 5/16	-	7	6	1	1 1/2	3	3 3/4
	(mm)	203	762	448	51	289	203	321	186	-	178	152	25	38	76	119
Spec. Flat Pan	(in)	10	30	17 5/8	2	11 3/8	8	12 5/8	7 5/16	-	7	6	1	1 1/2	3	3 3/4
	(mm)	254	762	448	51	289	203	321	186	-	178	152	25	38	76	119
Spec. Flat Pan	(in)	12	24	14 5/8	2	11 3/8	8	12 5/8	7 5/16	-	7	6	1	1 1/2	3	3 3/4
	(mm)	305	610	371	51	289	203	321	186	-	178	152	25	38	76	119
Spec. Flat Pan	(in)	14	24	14 5/8	2	11 3/8	8	12 5/8	7 5/16	-	7	6	1	1 1/2	3	3 3/4
	(mm)	356	610	371	51	289	203	321	186	-	178	152	25	38	76	119
Spec. Tubular	(in)	3 dia.	30	17 5/8	-	12 3/8	8	12 5/8	7 5/16	8 sq.	7	6	1	1 1/2	3	3 3/4
	(mm)	76	762	448	-	314	203	321	186	203	178	152	25	38	76	119
Spec. Tubular	(in)	4 dia.	24	14 5/8	-	13 3/8	8	12 5/8	7 5/16	8 sq.	7	6	1	1 1/2	3	3 3/4
	(mm)	102	610	371	-	340	203	321	186	203	178	152	25	38	76	119
Spec. Tubular	(in)	6 dia.	18	11 5/8	-	15 3/8	8	12 5/8	7 5/16	9 sq.	7	6	1	1 1/2	3	3 3/4
	(mm)	152	457	295	-	391	203	321	186	229	178	152	25	38	76	119



Syntron BF-2 Feeder



Feed Rate ■ : 9 1/2 tons per hour
Approx. Current Input * : 115 volt, 60 cycle 4.0 amps

Approx. Net Weight, Feeder: 90 lb
Control Selection: Pages 20-21
Approx. Ship. Weight, Feeder and Control: 100 lb

- Feed rate based upon granular material weighing 100 pounds per cubic foot and feeder with standard flat pan.
- Height H with standard cushion rubber mount. For other mounting options, see Available Rubber Mountings chart on page 16.
- * Unit can be ordered to operate from virtually any commercial power supply up to 460 volts. Please specify the voltage required and either 50 or 60 Hz at time of order.
- ▲ Other trough sizes are available. Contact the factory for assistance.

Model BF-3

The Syntron® BF-3 feeder is an exciting new addition to Syntron Material Handling's existing line of products by offering a single drive solution for larger trough sizes. The BF-3 utilizes a sealed, sanitary design capable of handling a diverse range of feeding applications while providing solutions for industries such as food, pharmaceutical, material handling and packaging.

Trough Type		A	B	C	D	E	F	G	H •	J	K	L
Std. Flat Pan	(in)	12	42	28 ^{15/16}	4	16 ^{5/16}	10	16 ^{1/16}	11 ^{5/16}	7 ^{1/2}	7 ^{3/4}	1 ^{3/16}
	(mm)	305	1,067	735	102	414	254	408	287	191	197	30
Spec. Flat Pan	(in)	8	48	31 ^{15/16}	4	16 ^{5/16}	10	19 ^{1/16}	11 ^{5/16}	7 ^{1/2}	7 ^{3/4}	1 ^{3/16}
	(mm)	203	1,219	811	102	414	254	484	287	191	197	30
Spec. Flat Pan	(in)	10	48	31 ^{15/16}	4	16 ^{5/16}	10	19 ^{1/16}	11 ^{5/16}	7 ^{1/2}	7 ^{3/4}	1 ^{3/16}
	(mm)	254	1,219	811	102	414	254	484	287	191	197	30
Spec. Flat Pan	(in)	10	38	24 ^{15/16}	4	16 ^{5/16}	10	16 ^{1/16}	11 ^{5/16}	7 ^{1/2}	7 ^{3/4}	1 ^{3/16}
	(mm)	254	965	633	102	414	254	408	287	191	197	30
Spec. Flat Pan	(in)	12	48	31 ^{15/16}	4	16 ^{5/16}	10	19 ^{1/16}	11 ^{5/16}	7 ^{1/2}	7 ^{3/4}	1 ^{3/16}
	(mm)	305	1,219	811	102	414	254	484	287	191	197	30
Spec. Flat Pan	(in)	14	30	21 ^{15/16}	4	16 ^{5/16}	10	15 ^{15/16}	11 ^{5/16}	7 ^{1/2}	7 ^{3/4}	1 ^{3/16}
	(mm)	356	762	557	102	414	254	405	287	191	197	30
Spec. Flat Pan	(in)	16	30	12 ^{15/16}	4	16 ^{5/16}	10	15 ^{15/16}	11 ^{5/16}	7 ^{1/2}	7 ^{3/4}	1 ^{3/16}
	(mm)	406	762	329	102	414	254	405	287	191	197	30

Feed Rate ■ : 25 tons per hour

Approx Net Weight Feeder: 150 lb

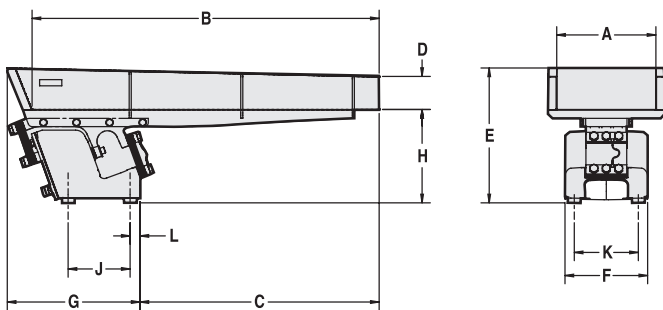
Current Input*: 115 V 60 cycle @ 10 amps

Approx Shipping Weight Feeder and Control: 180 lb

■ Feed rate based upon granular material weighing 100 pounds per cubic foot and feeder with standard flat pan.

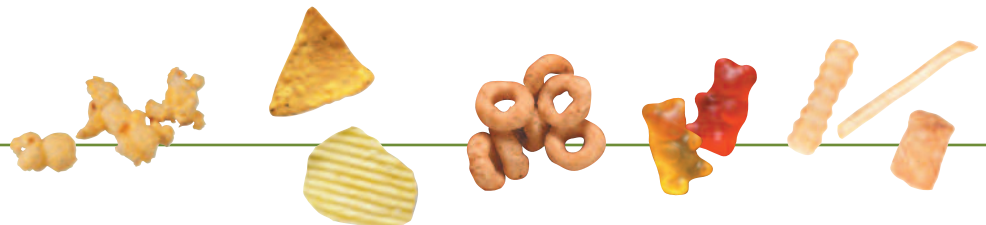
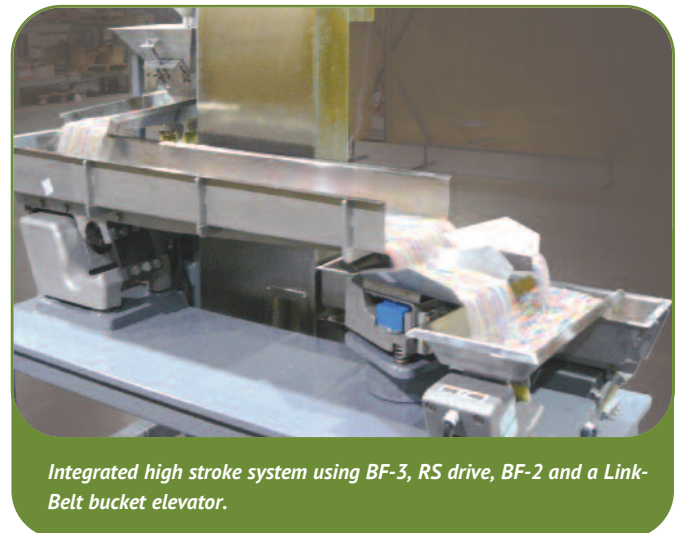
* Unit can be ordered to operate from virtually any commercial power supply up to 575 volts. Please specify the voltage required and either 50 or 60 Hz at time of order. Contact the factory for assistance.

▲ Other trough sizes are available. Contact the factory for assistance.



Features

- Designed for high speed feeding up to 60 ft per minute ■
- Sanitary design eliminates contamination during washdown
- Drive design is IP 66 compliant
- CSA Approved and CE Incorporable
- Feeder capable of operating at .090" stroke with a trough carrying weight ranging from 20 to 40 pounds
- Other trough sizes available – contact the factory for assistance
- Externally adjustable tuning



feeder models and specifications cont'd.



Model BF-4

BF-4 feeders can achieve product travel speeds up to 50 feet (15 meters) per minute. Continuous welds on stainless steel troughs provide extra sanitation for food and pharmaceutical applications.

Features

- Long trough overhang for optimum feeder positioning minimizes product drop and degradation
- Electromagnetic drive allows adjustable vibration control and gentle product handling
- Product travel speeds up to 50 fpm (15 mpm)
- Adjustable stroke—up to .150 inches (4 mm)—maintains feed rate of difficult-to-handle or sticky products
- Continuous welds on stainless steel troughs provide extra sanitation in FDA applications

The actual capacity of all Syntron Vibrating Feeders varies according to the density of the bulk material being handled and the feeder trough size.

- IP66 rated drive is ideal for washdown applications
- Excellent for cold room applications
- Externally adjustable air gap for simple, easy tuning
- Low noise level; approximately 70 db for high-frequency models and 60 db for low-frequency models (while running empty)
- Trough options include:
 - Straight, diagonal or peripheral type discharges
 - Trough covers to prevent contamination

Model BF-4

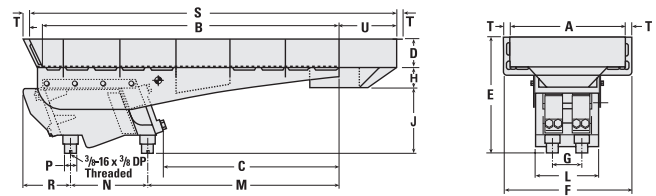
		A	B	C	D	E	F	G	H	J	L	M	N	P	R	S	T	U	V	W
Typical peripheral type discharge	(in)	20	51	30 3/8	5	19 5/16	22 1/8	5	3 1/2	11 1/8	11 1/8	33 1/4	13	2	8 1/8	63 5/16	1 1/4	10	-	-
	(mm)	508	1,295	772	127	491	562	127	89	283	279	845	330	51	206	1,608	32	254	-	-
Typical straight type discharge	(in)	14	73	48	5	19 11/16	16 3/16	5	1 1/2	13 15/16	11	51 5/16	13	2	7	75 5/16	1 1/4	11	4	3/4
	(mm)	356	1,854	1,219	127	500	411	127	38	354	279	1,300	330	51	178	1,913	32	279	102	19

Many other trough sizes available.

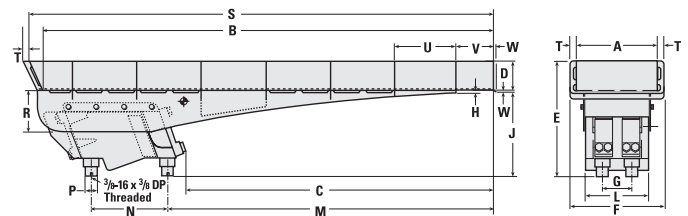
Feed Rate ■ : 11 tons per hour
 Approx. Ship. Wt: 500 lb (267 kg)
 Control Selection: Pages 20-21
 Approx. Net Wt, Feeder: 400 lb (181 kg)
 Approx. Current Input:
 @ 230 V, 50 Hz or 60 Hz, 9 amps
 Available for:
 115 V, 230 V, 460 V, 3600 VPM @ 60 Hz
 208 V, 230 V, 380 V, 3000 VPM @ 50 Hz

- Based on material weighing 25 lb per ft³ on a 20-inch wide trough.

Typical peripheral type discharge



Typical straight type discharge



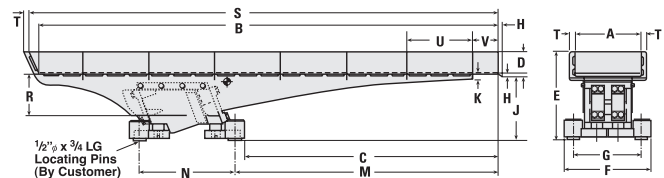
Model BF-4 Low Frequency

Straight Discharge BF-4-LF (Low Frequency)

	A	B	C	D	E •	F	G	H	J •	K	M	N	R	S	T	U	V
inches	16	115	66	5	20 3/8	20 1/2	16	3/4	14 5/8	1 1/2	68 1/4	21 5/8	9 1/2	117 5/16	1 1/4	15	4
mm	406	2,921	1,676	127	518	521	406	19	371	38	1,734	549	241	2,980	32	381	102

Many other trough sizes available.

Feed Rate ■ : 12 tons per hour
 Approx. Ship. Weight: 555 lb (252 kg)
 Approx. Net Wt, Feeder: 455 lb (206 kg)
 Control Selection: Pages 20-21
 Approx. Current Input: 230 V, 50 Hz or 60 Hz, 9 amps
 Available for:
 230 V, 460 V, 1800 VPM @ 60 Hz
 208 V, 230 V, 380 V, 2000 VPM @ 50 Hz



- Based on material weighing 25 lb per cu ft on a 20-inch wide trough.
- Height dimension E and J varies with trough weight.